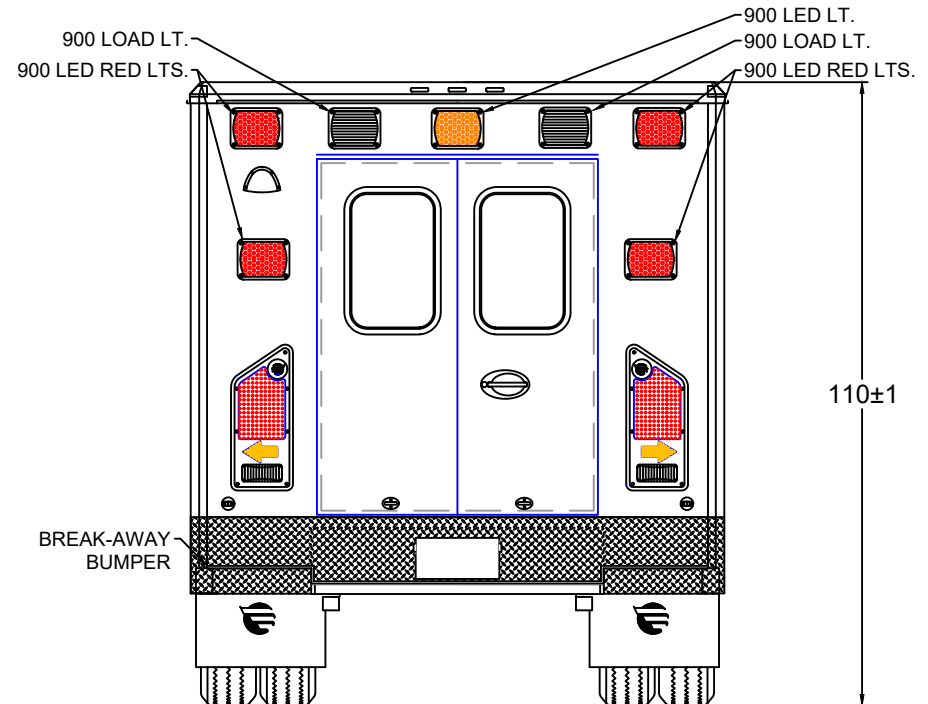
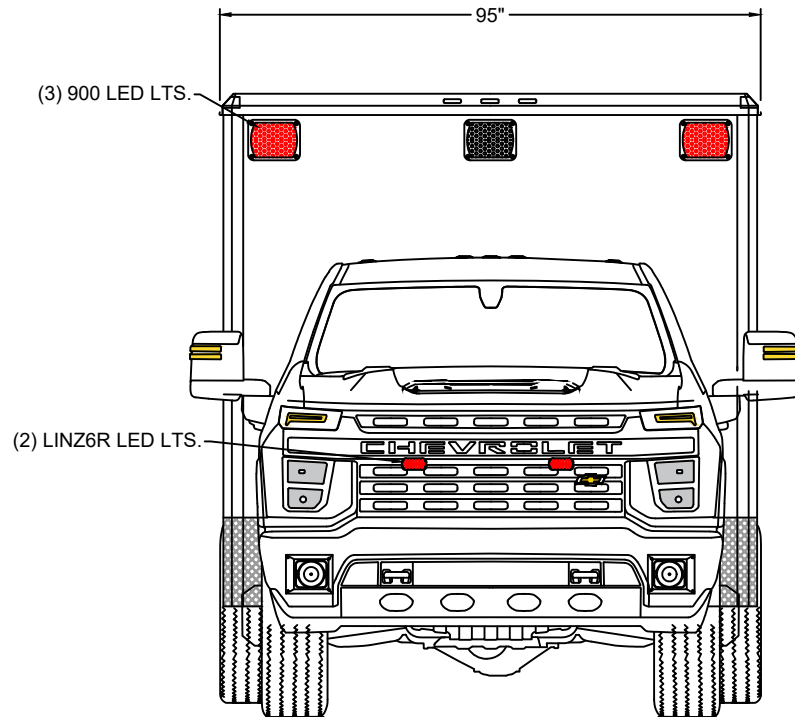


CA101740

MODEL 1153C

153 x 95 x 72



EXTERIOR COMPARTMENT DIMENSIONS IN INCHES

INTERIOR DIMENSIONS				PASS THRU		INTERIOR DIMENSIONS				JAMB OPENING	
COMPT.	HEIGHT	WIDTH	DEPTH	HEIGHT	WIDTH	COMPT.	HEIGHT	WIDTH	DEPTH	HEIGHT	WIDTH



TYPE 1 CHEVY  
FRONT / REAR  
EXTERIOR VIEWS

BE ADVISED THAT THESE ARE PRELIMINARY LAYOUTS INTENDED TO ILLUSTRATE DESIGN INTENT AND DIMENSIONS ARE FOR REFERENCE ONLY PRIOR TO FINAL ENGINEERING

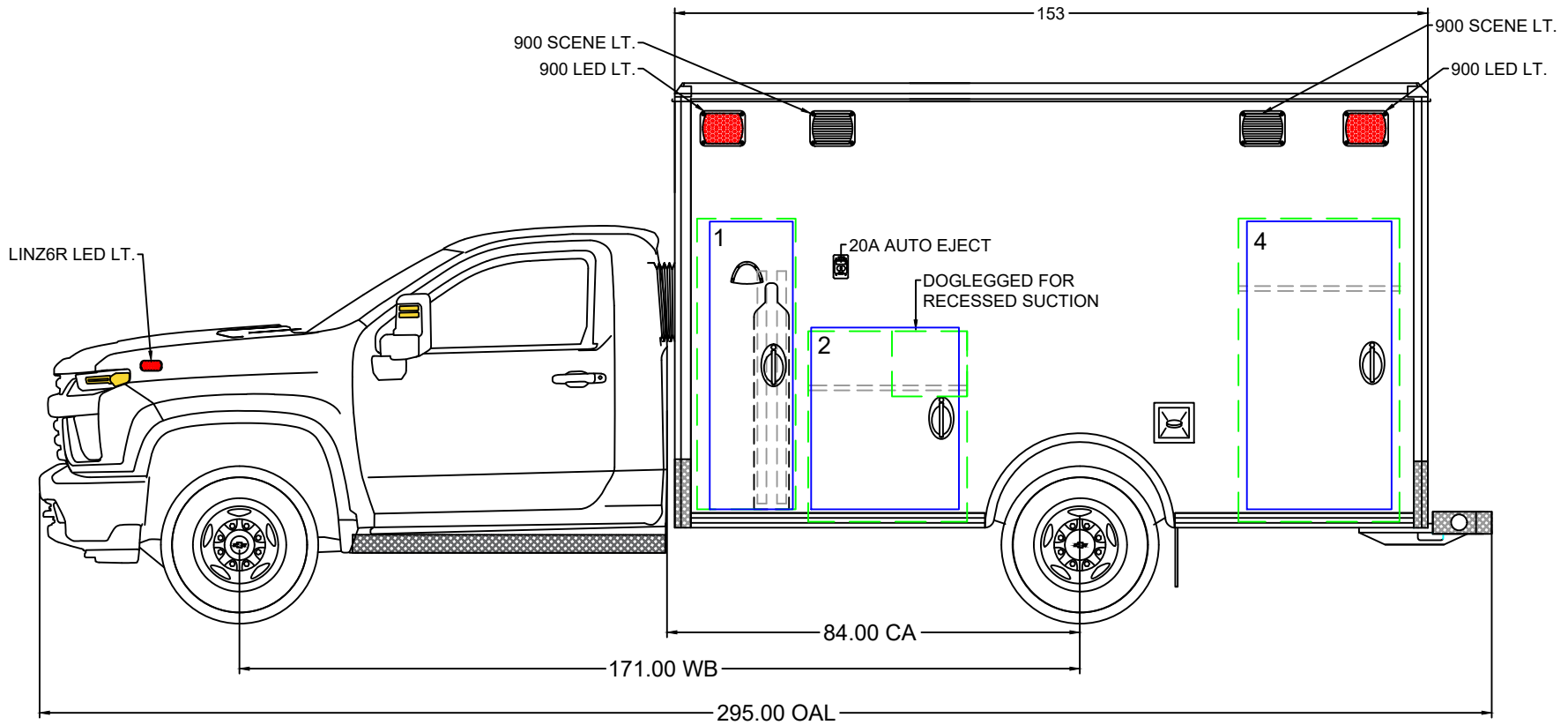
DATE:	2/24/21	SCALE
DWN BY:	AP	DWG NO 1 / 9

50" AISLE


CA101740

MODEL 1153C

153 x 95 x 72



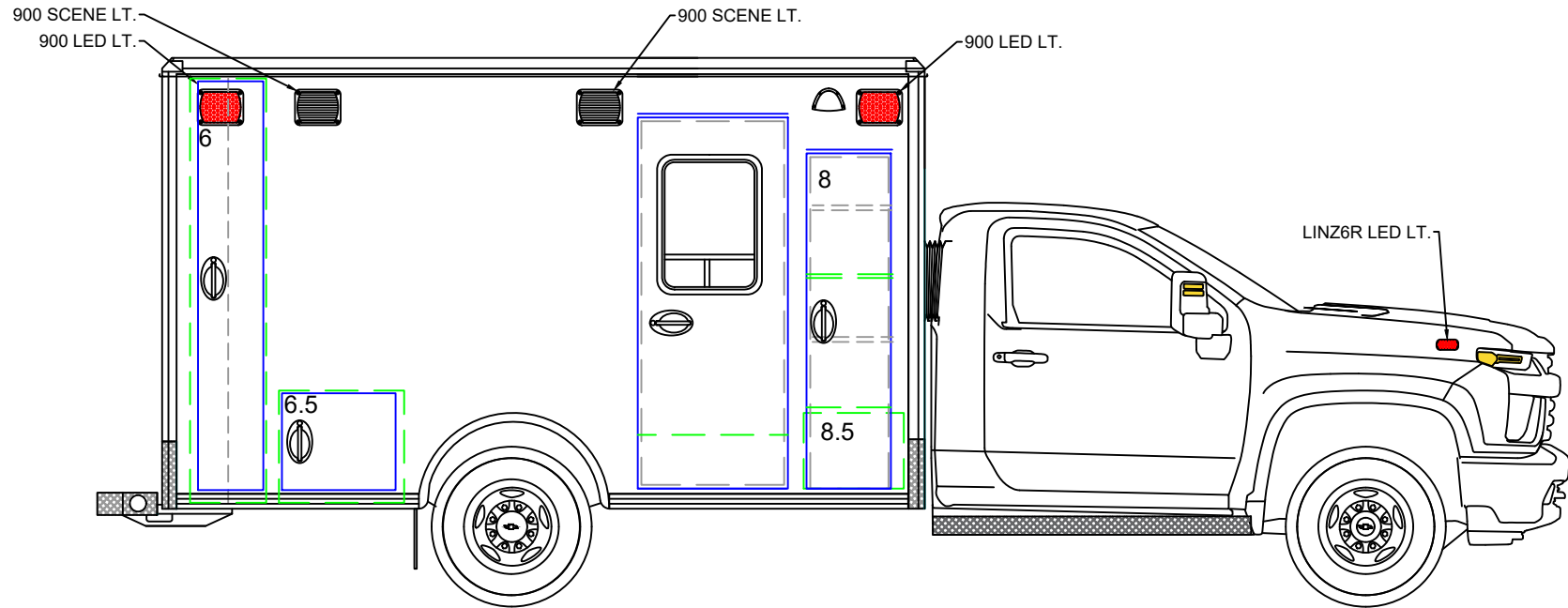
BE ADVISED THAT THESE ARE PRELIMINARY LAYOUTS INTENDED TO ILLUSTRATE DESIGN INTENT AND DIMENSIONS ARE FOR REFERENCE ONLY PRIOR TO FINAL ENGINEERING

EXTERIOR COMPARTMENT DIMENSIONS IN INCHES												
INTERIOR DIMENSIONS				JAMB OPENING		INTERIOR DIMENSIONS				JAMB OPENING		
COMPT.	HEIGHT	WIDTH	DEPTH	HEIGHT	WIDTH	COMPT.	HEIGHT	WIDTH	DEPTH	HEIGHT	WIDTH	
4	61.50	32.75	17.00	58.50	29.50							
2	38.75	32.25	17.00	37.00	30.00							
1	59.00	20.00	17.00	58.50	16.75							
50" AISLE												DATE 2/24/21 DRAWN BY AP
												SCALE DWG NO 2 / 9

CA101740

MODEL 1153C

153 x 95 x 72



BE ADVISED THAT THESE ARE PRELIMINARY LAYOUTS INTENDED TO ILLUSTRATE DESIGN INTENT AND DIMENSIONS ARE FOR REFERENCE ONLY PRIOR TO FINAL ENGINEERING

EXTERIOR COMPARTMENT DIMENSIONS IN INCHES

INTERIOR DIMENSIONS				JAMB OPENING		INTERIOR DIMENSIONS				JAMB OPENING	
COMPT.	HEIGHT	WIDTH	DEPTH	HEIGHT	WIDTH	COMPT.	HEIGHT	WIDTH	DEPTH	HEIGHT	WIDTH
8				65.50	16.75						
8.5	15.50	20.00	19.00								
6.5	22.25	25.00	17.00	19.25	22.75						
6	85.00	15.25	18.50	81.75	13.00						



TYPE 1 CHEVY

RIGHT EXT. VIEW

DATE 2/24/21

SCALE

DRAWN BY AP

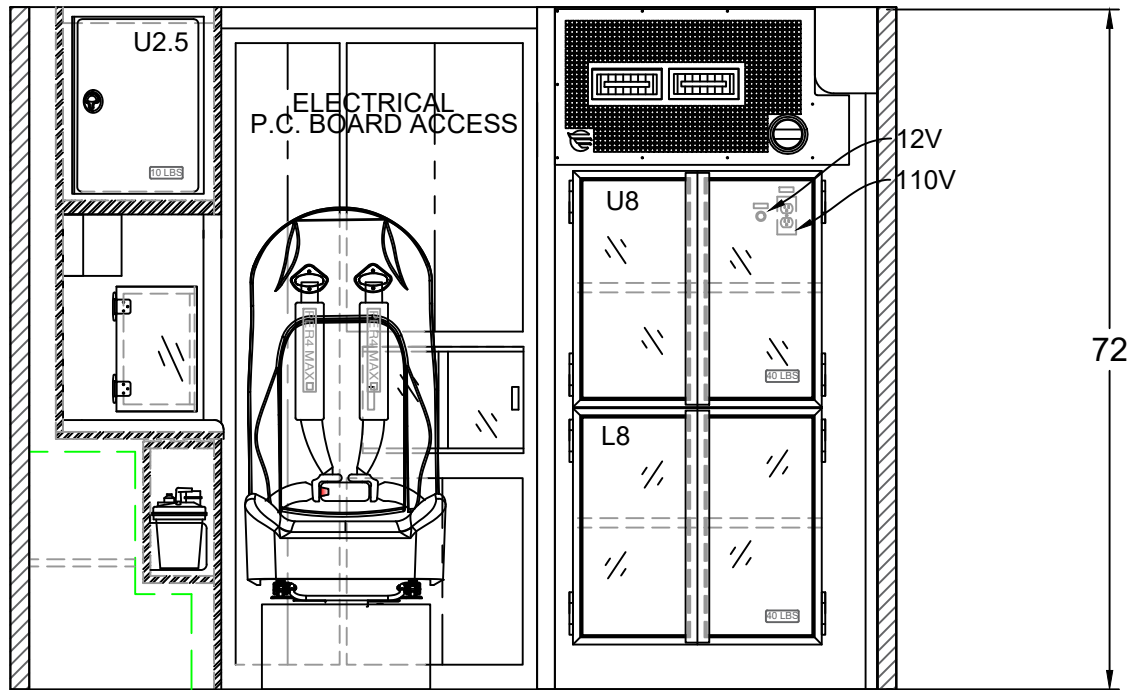
DWG NO 3 / 9

50" AISLE

CA101740

MODEL 1153C

153 x 95 x 72



BE ADVISED THAT THESE ARE PRELIMINARY LAYOUTS INTENDED TO ILLUSTRATE DESIGN INTENT AND DIMENSIONS ARE FOR REFERENCE ONLY PRIOR TO FINAL ENGINEERING

CABINET WEIGHT RATINGS:  
NON-RESTOCKING = 40 LBS.  
RESTOCKING = 30 LBS.

INTERIOR CABINET DIMENSIONS IN INCHES

CABINET	HEIGHT	WIDTH	DEPTH	CABINET	HEIGHT	WIDTH	DEPTH
U8	24.50	33.50	20.00				
L8	24.50	33.50	20.00				



TYPE 1 CHEVY  
BULKHEAD INTERIOR

DATE 2/24/21

SCALE

DRAWN BY AP

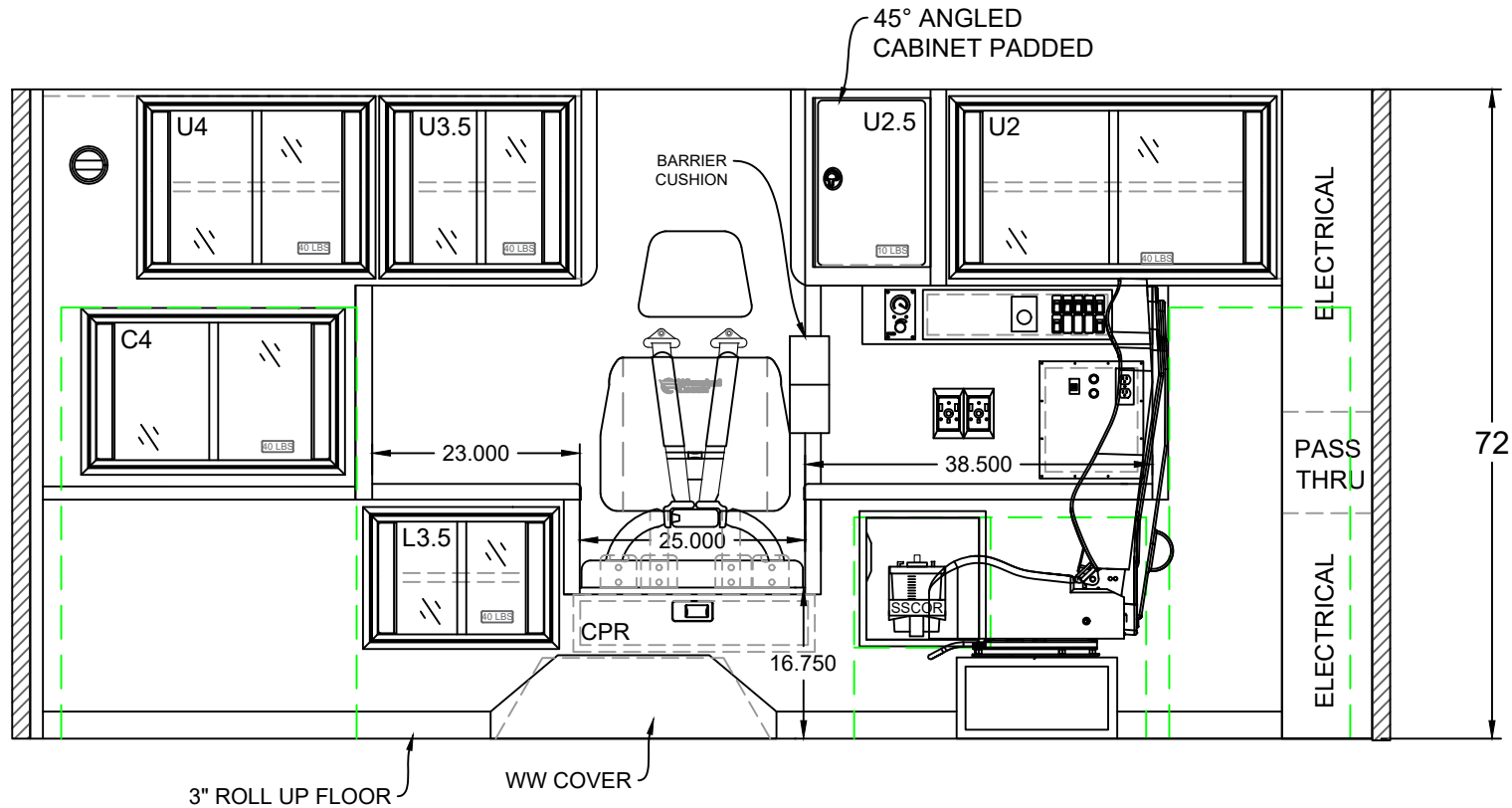
DWG NO 4 / 9

50" AISLE

CA101740

MODEL 1153C

153 x 95 x 72



INTERIOR CABINET DIMENSIONS IN INCHES

CABINET	HEIGHT	WIDTH	DEPTH		CABINET	HEIGHT	WIDTH	DEPTH	
C4	17.00	28.75	IS/OS		L3.5	14.25	20.25	18.25	
U4	18.75	25.00	18.25		CPR	4.50	23.50	18.25	
U3.5	18.75	20.25	18.25						
U2.5	19.00	16.25	16.00						
U2	18.75	34.75	16.00						



TYPE 1 CHEVY  
LEFT INTERIOR

50" AISLE

CABINET WEIGHT RATINGS:  
NON-RESTOCKING = 40 LBS.  
RESTOCKING = 30 LBS.

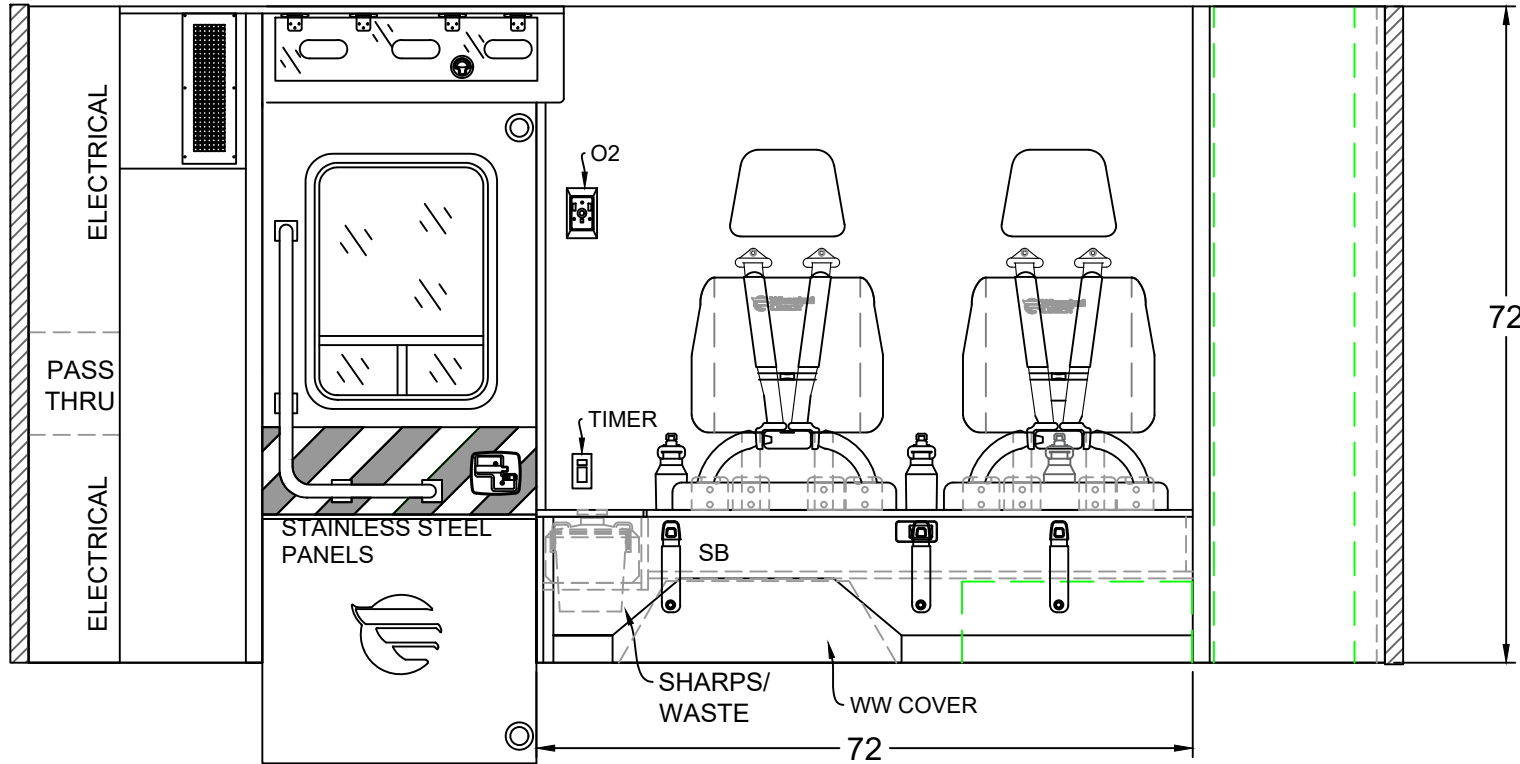
BE ADVISED THAT THESE ARE PRELIMINARY LAYOUTS INTENDED TO ILLUSTRATE DESIGN INTENT AND DIMENSIONS ARE FOR REFERENCE ONLY PRIOR TO FINAL ENGINEERING

DATE:	2/24/21	SCALE:	
DWN BY:	AP	DWG NO:	5 / 9

CA101740

MODEL 1153C

153 x 95 x 72



INTERIOR CABINET DIMENSIONS IN INCHES



TYPE 1 CHEVY  
RIGHT INTERIOR

COMPT.	HEIGHT	WIDTH	DEPTH		COMPT.	HEIGHT	WIDTH	DEPTH	
SB	5.75	60.75	16.75						

50" AISLE

CABINET WEIGHT RATINGS:  
NON-RESTOCKING = 40 LBS.  
RESTOCKING = 30 LBS.

BE ADVISED THAT THESE ARE PRELIMINARY LAYOUTS INTENDED TO ILLUSTRATE DESIGN INTENT AND DIMENSIONS ARE FOR REFERENCE ONLY PRIOR TO FINAL ENGINEERING

DATE: 2/24/21

SCALE

DWG BY

AP

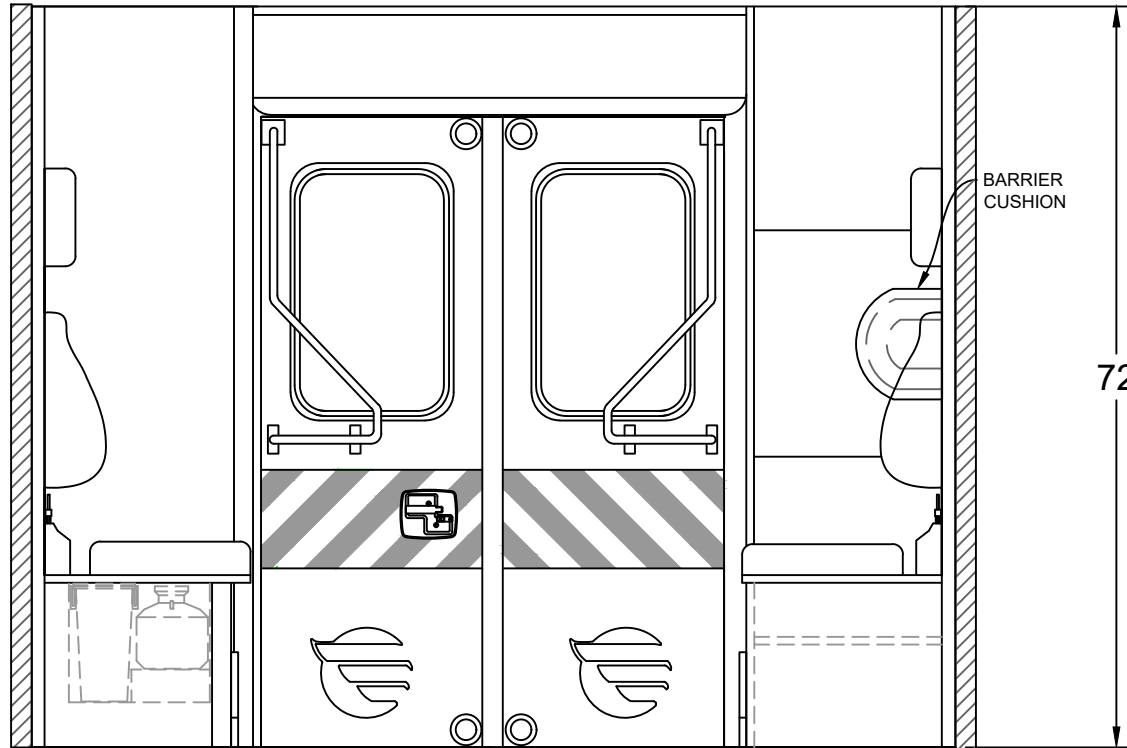
DWG NO

6 / 9

CA101740

MODEL 1153C

153 x 95 x 72



INTERIOR CABINET DIMENSIONS IN INCHES



TYPE 1 CHEVY

REAR BULKHEAD INTERIOR

DATE: 2/24/21

SCALE

DWG BY

AP

DWG NO

7 / 9

COMPT.	HEIGHT	WIDTH	DEPTH		COMPT.	HEIGHT	WIDTH	DEPTH	

50" AISLE

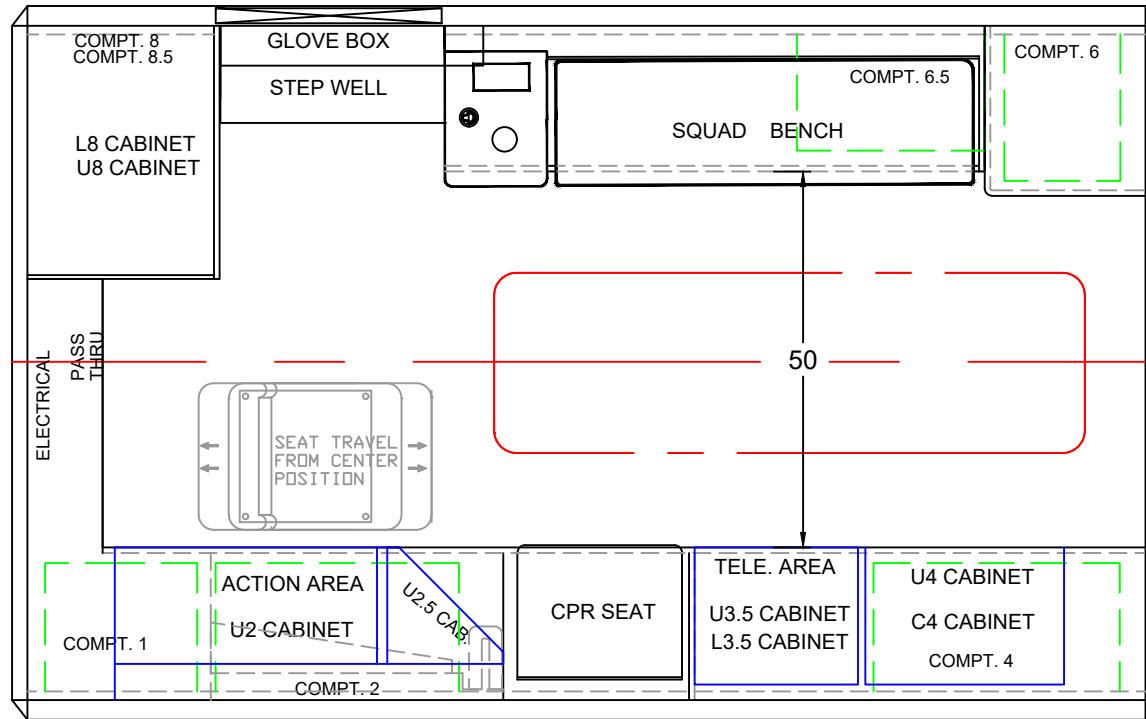
CABINET WEIGHT RATINGS:  
NON-RESTOCKING = 40 LBS.  
RESTOCKING = 30 LBS.

BE ADVISED THAT THESE ARE PRELIMINARY LAYOUTS INTENDED TO ILLUSTRATE DESIGN INTENT AND DIMENSIONS ARE FOR REFERENCE ONLY PRIOR TO FINAL ENGINEERING

CA101740

MODEL 1153C

153 x 95 x 72



BE ADVISED THAT THESE ARE PRELIMINARY LAYOUTS INTENDED TO ILLUSTRATE DESIGN INTENT AND DIMENSIONS ARE FOR REFERENCE ONLY PRIOR TO FINAL ENGINEERING

INTERIOR CABINET DIMENSIONS IN INCHES

CABINET	HEIGHT	WIDTH	DEPTH	CABINET	HEIGHT	WIDTH	DEPTH



TYPE 1 CHEVY  
FLOOR PLAN

DATE:	2/24/21	SCALE:	
DWN BY:	AP	DWG NO:	8 / 9

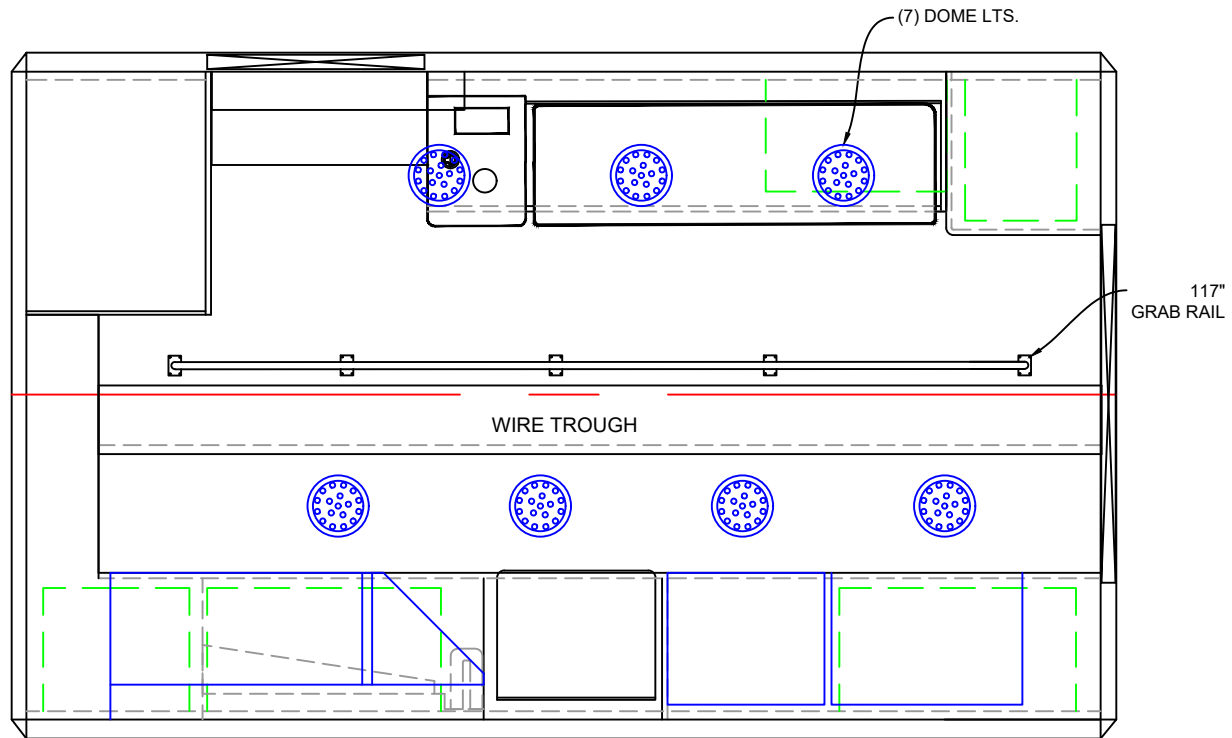
50" AISLE



CA101740

MODEL 1153C

153 x 95 x 72



BE ADVISED THAT THESE ARE PRELIMINARY LAYOUTS INTENDED TO ILLUSTRATE DESIGN INTENT AND DIMENSIONS ARE FOR REFERENCE ONLY PRIOR TO FINAL ENGINEERING

INTERIOR CABINET DIMENSIONS IN INCHES

CABINET	HEIGHT	WIDTH	DEPTH	CABINET	HEIGHT	WIDTH	DEPTH



TYPE 1 CHEVY  
LINER

DATE: 2/24/21

SCALE

DWN BY AP

DWG NO 9 / 9

50" AISLE