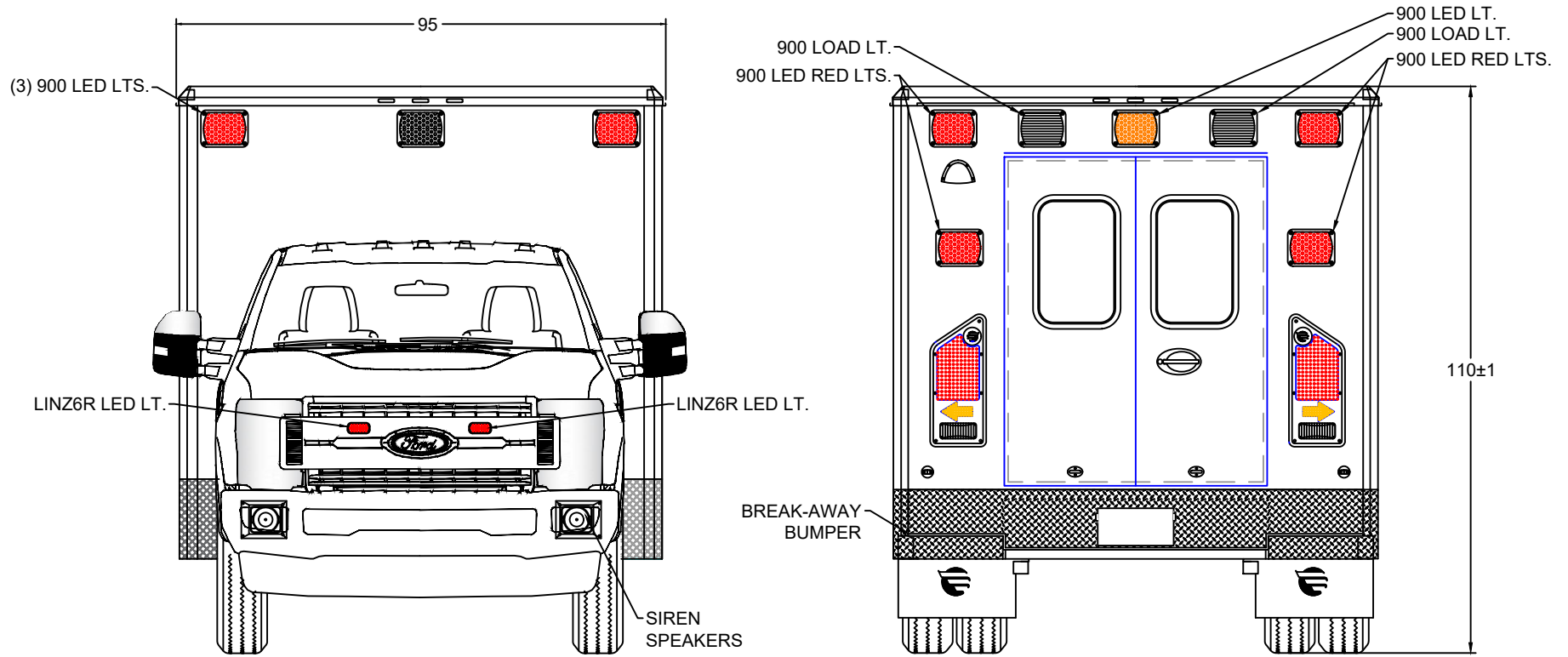


CA111117

MODEL 1170F

170 x 95 x 72



EXTERIOR COMPARTMENT DIMENSIONS IN INCHES

INTERIOR DIMENSIONS				PASS THRU		INTERIOR DIMENSIONS				JAMB OPENING	
COMPT.	HEIGHT	WIDTH	DEPTH	HEIGHT	WIDTH	COMPT.	HEIGHT	WIDTH	DEPTH	HEIGHT	WIDTH



TYPE 1 FORD
FRONT / REAR
EXTERIOR VIEWS

BE ADVISED THAT THESE ARE PRELIMINARY LAYOUTS INTENDED TO ILLUSTRATE DESIGN INTENT AND DIMENSIONS ARE FOR REFERENCE ONLY PRIOR TO FINAL ENGINEERING

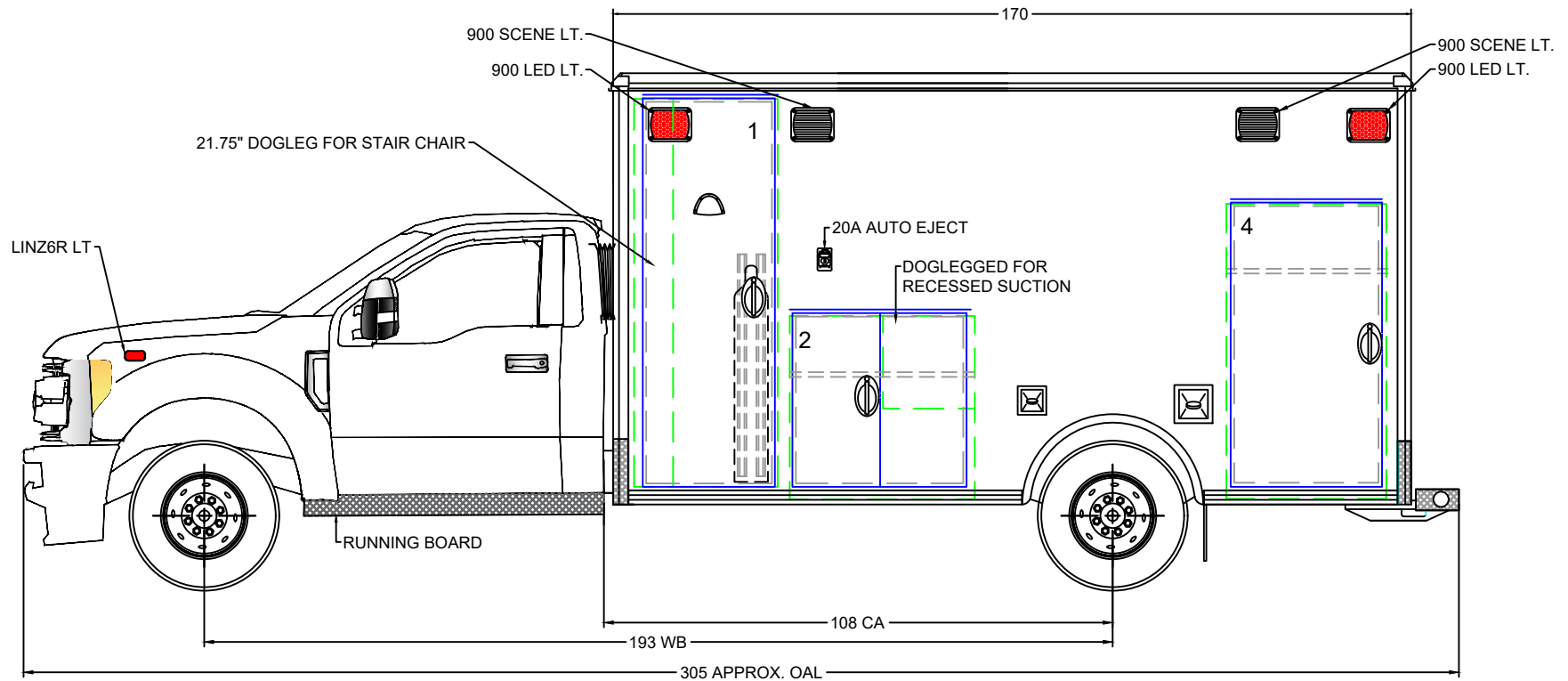
DATE:	3/3/21	SCALE	
DWN BY	AP	DWG NO	1 / 9

50" AISLE


CA111117

MODEL 1170F

170 x 95 x 72



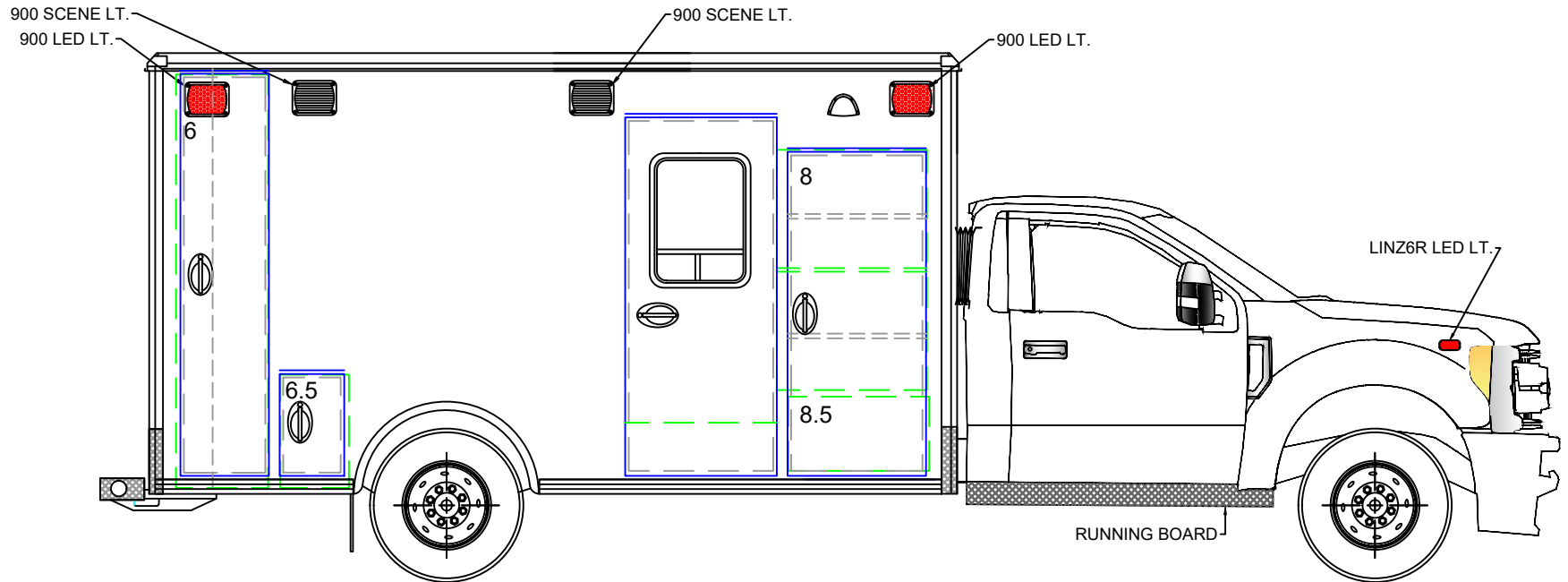
BE ADVISED THAT THESE ARE PRELIMINARY LAYOUTS INTENDED TO ILLUSTRATE DESIGN INTENT AND DIMENSIONS ARE FOR REFERENCE ONLY PRIOR TO FINAL ENGINEERING

EXTERIOR COMPARTMENT DIMENSIONS IN INCHES												 TYPE 1 FORD LEFT EXT. VIEW
INTERIOR DIMENSIONS				JAMB OPENING		INTERIOR DIMENSIONS				JAMB OPENING		
COMPT.	HEIGHT	WIDTH	DEPTH	HEIGHT	WIDTH	COMPT.	HEIGHT	WIDTH	DEPTH	HEIGHT	WIDTH	
4	61.50	34.00	17.00	58.50	30.50							
2	37.75	39.25	17.00	35.00	37.00							
1	82.50	30.50	17.00	81.75	27.25							
50" AISLE												DATE 3/3/21 DRAWN BY AP
												SCALE DWG NO 2 / 9

CA111117

MODEL 1170F

170 x 95 x 72



BE ADVISED THAT THESE ARE PRELIMINARY LAYOUTS INTENDED TO ILLUSTRATE DESIGN INTENT AND DIMENSIONS ARE FOR REFERENCE ONLY PRIOR TO FINAL ENGINEERING

EXTERIOR COMPARTMENT DIMENSIONS IN INCHES

INTERIOR DIMENSIONS				JAMB OPENING		INTERIOR DIMENSIONS				JAMB OPENING	
COMPT.	HEIGHT	WIDTH	DEPTH	HEIGHT	WIDTH	COMPT.	HEIGHT	WIDTH	DEPTH	HEIGHT	WIDTH
8				65.50	27.25						
8.5	15.50	30.50	19.00								
6.5	22.50	14.25	17.00	19.25	12.00						
6	85.00	19.00	18.50	82.00	17.00						



TYPE 1 FORD

RIGHT EXT. VIEW

DATE 3/3/21

SCALE

DRAWN BY AP

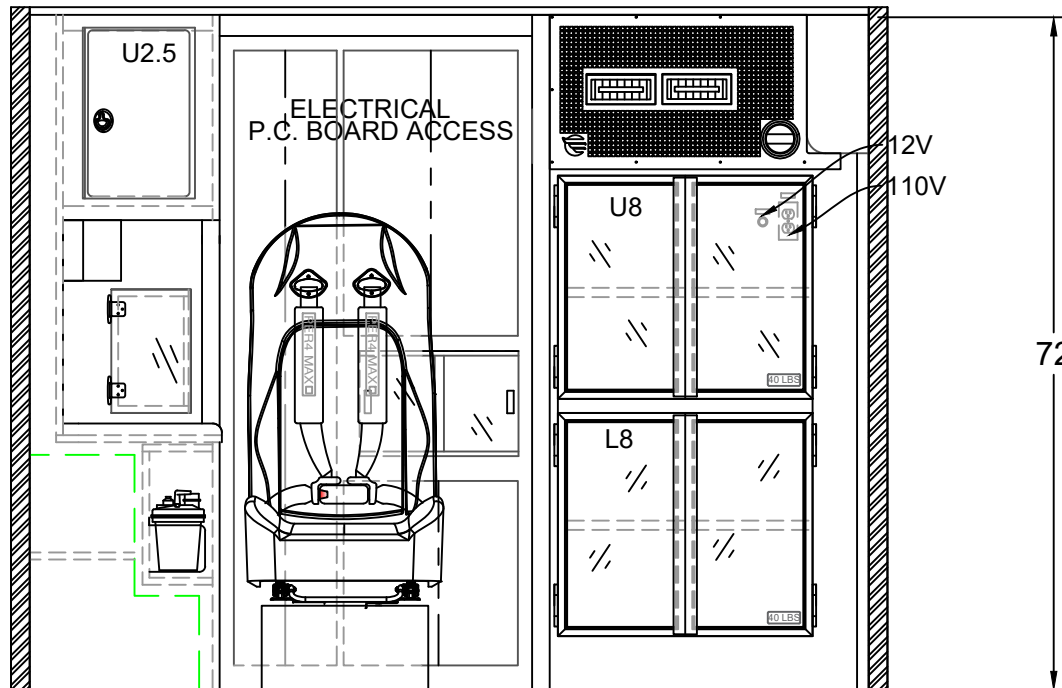
DWG NO 3 / 9

50" AISLE


CA111117

MODEL 1170F

170 x 95 x 72



BE ADVISED THAT THESE ARE PRELIMINARY LAYOUTS INTENDED TO ILLUSTRATE DESIGN INTENT AND DIMENSIONS ARE FOR REFERENCE ONLY PRIOR TO FINAL ENGINEERING

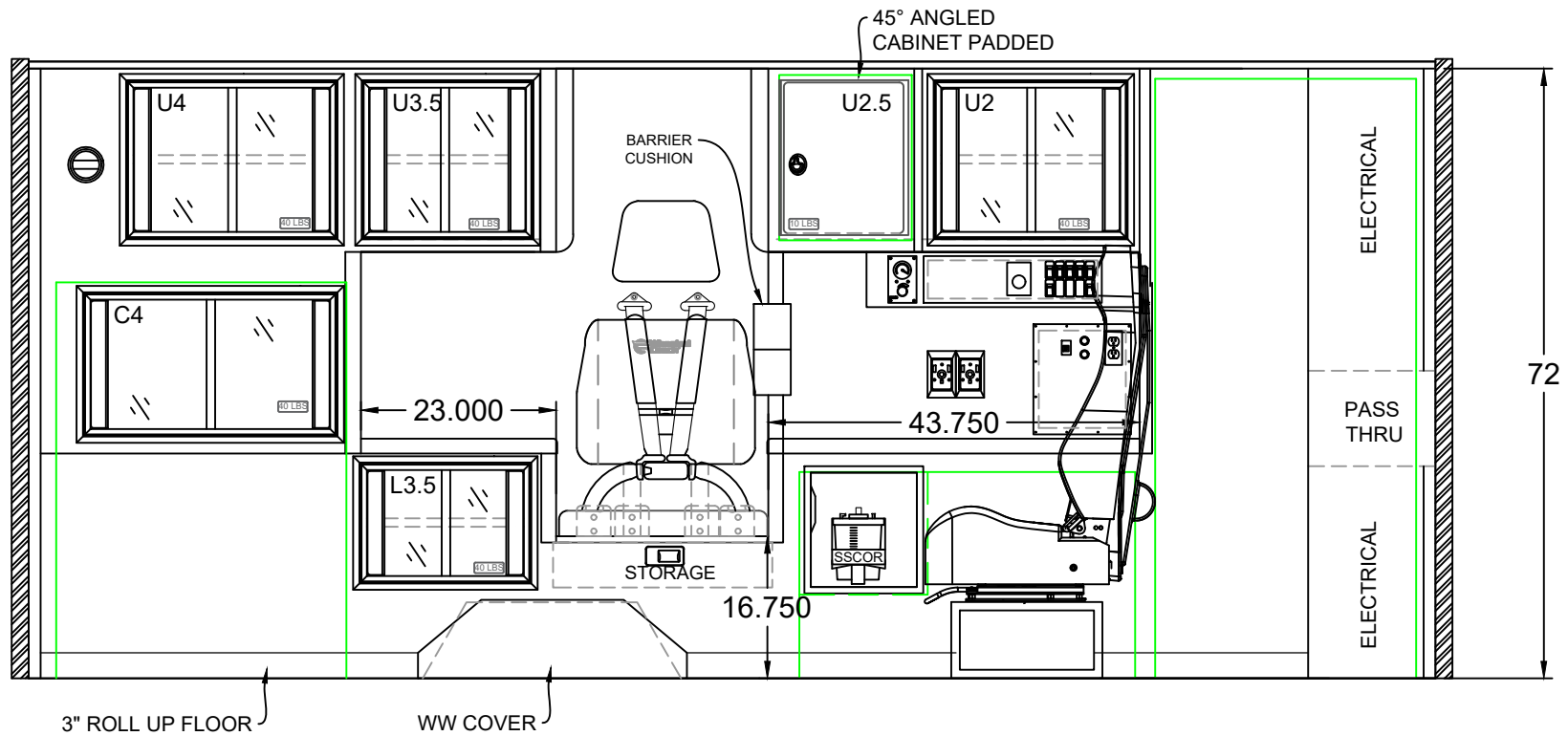
<p><u>CABINET WEIGHT RATINGS:</u> NON-RESTOCKING = 40 LBS. RESTOCKING = 30 LBS.</p>	<p>INTERIOR CABINET DIMENSIONS IN INCHES</p>							 <p>TYPE 1 FORD BULKHEAD INTERIOR</p>			
	CABINET	HEIGHT	WIDTH	DEPTH	CABINET	HEIGHT	WIDTH			DEPTH	
	U8	24.50	33.50	30.50							
	L8	24.50	33.50	30.50							
									DATE	SCALE	
									3/3/21		
									DRAWN BY	DWG NO	
									AP	4 / 9	

50" AISLE

CA111117

MODEL 1170F

170 x 95 x 72



INTERIOR CABINET DIMENSIONS IN INCHES

CABINET	HEIGHT	WIDTH	DEPTH		CABINET	HEIGHT	WIDTH	DEPTH	
C4	17.00	30.00	IS/OS		CPR	4.50	23.50	18.25	
U4	18.75	26.25	18.25		L3.5	14.25	20.25	18.25	
U3.5	18.75	20.25	18.25						
U2.5	19.50	18.00	16.00						
U2	18.75	24.25	16.00						

50" AISLE

CABINET WEIGHT RATINGS:
NON-RESTOCKING = 40 LBS.
RESTOCKING = 30 LBS.

BE ADVISED THAT THESE ARE PRELIMINARY LAYOUTS INTENDED TO ILLUSTRATE DESIGN INTENT AND DIMENSIONS ARE FOR REFERENCE ONLY PRIOR TO FINAL ENGINEERING



TYPE 1 FORD

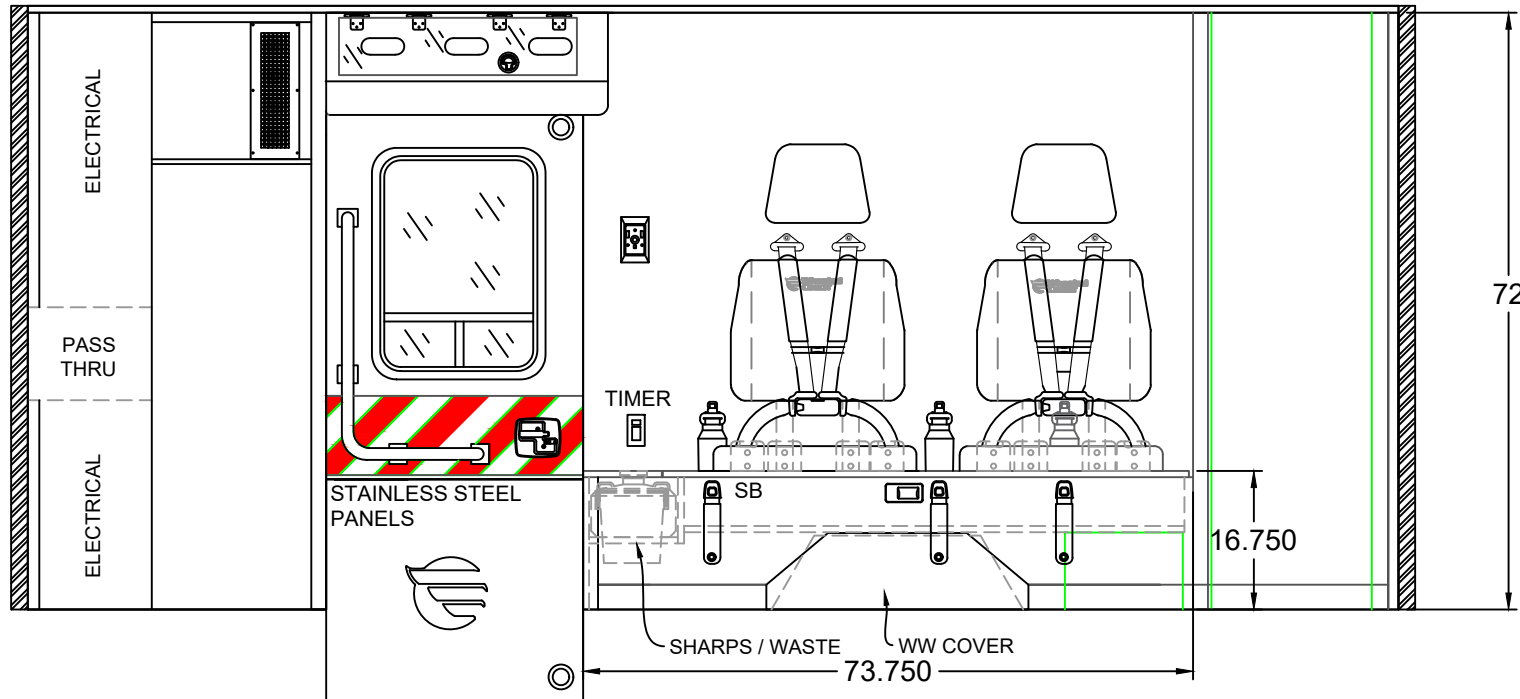
LEFT INTERIOR

DATE:	3/3/21	SCALE:	
DWN BY:	AP	DWG NO:	5 / 9

CA111117

MODEL 1170F

170 x 95 x 72



INTERIOR CABINET DIMENSIONS IN INCHES

COMPT.	HEIGHT	WIDTH	DEPTH		COMPT.	HEIGHT	WIDTH	DEPTH	
SB	5.75	60.75	16.75						

50" AISLE

CABINET WEIGHT RATINGS:
NON-RESTOCKING = 40 LBS.
RESTOCKING = 30 LBS.

BE ADVISED THAT THESE ARE PRELIMINARY LAYOUTS INTENDED TO ILLUSTRATE DESIGN INTENT AND DIMENSIONS ARE FOR REFERENCE ONLY PRIOR TO FINAL ENGINEERING



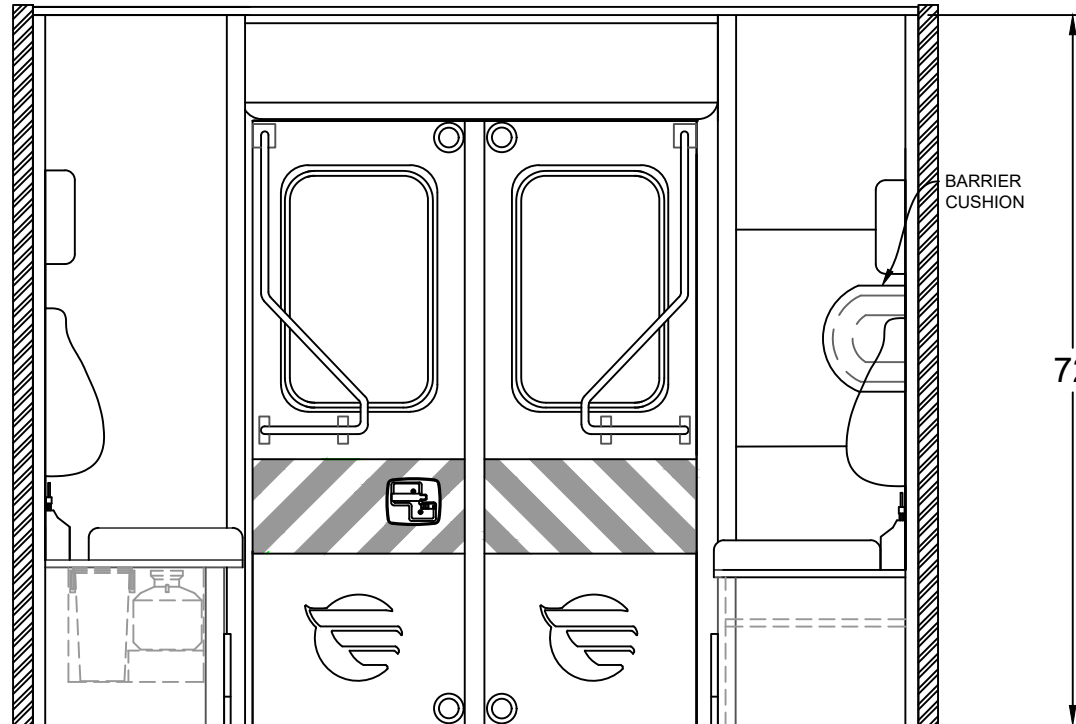
TYPE 1 FORD
RIGHT INTERIOR

DATE:	3/3/21	SCALE:	
DRAWN BY:	AP	DWG NO:	6 / 9

CA111117

MODEL 1170F

170 x 95 x 72



INTERIOR CABINET DIMENSIONS IN INCHES



TYPE 1 FORD

REAR BULKHEAD INTERIOR

DATE: 3/3/21

SCALE

DWGN BY: AP

DWG NO: 7 / 9

COMPT.	HEIGHT	WIDTH	DEPTH		COMPT.	HEIGHT	WIDTH	DEPTH	

50" AISLE

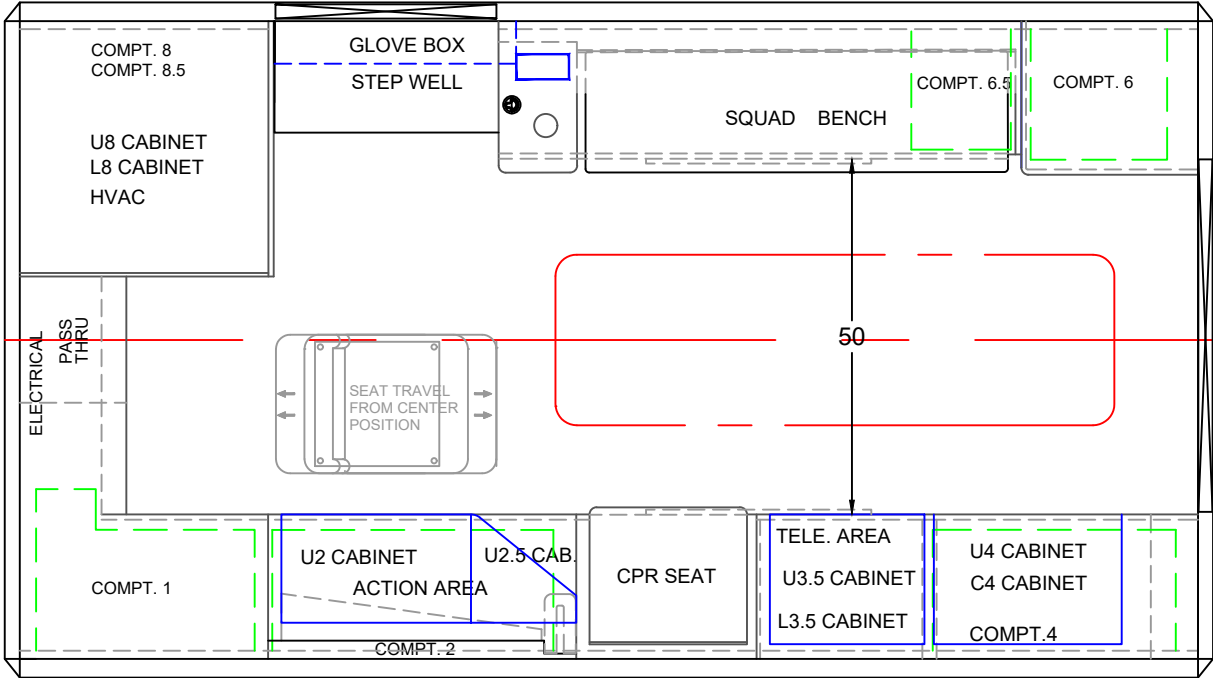
CABINET WEIGHT RATINGS:
NON-RESTOCKING = 40 LBS.
RESTOCKING = 30 LBS.

BE ADVISED THAT THESE ARE PRELIMINARY LAYOUTS INTENDED TO ILLUSTRATE DESIGN INTENT AND DIMENSIONS ARE FOR REFERENCE ONLY PRIOR TO FINAL ENGINEERING


CA111117

MODEL 1170F

170 x 95 x 72



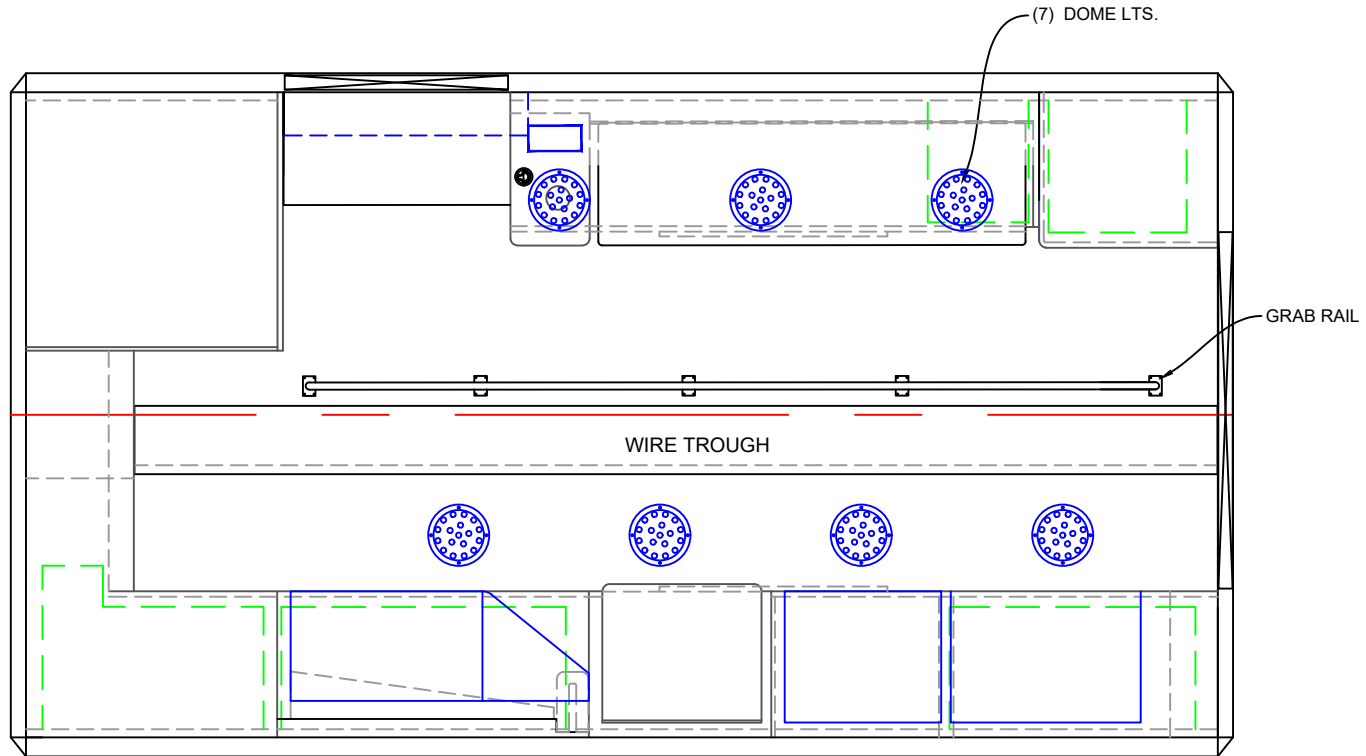
BE ADVISED THAT THESE ARE PRELIMINARY LAYOUTS INTENDED TO ILLUSTRATE DESIGN INTENT AND DIMENSIONS ARE FOR REFERENCE ONLY PRIOR TO FINAL ENGINEERING

INTERIOR CABINET DIMENSIONS IN INCHES									
CABINET	HEIGHT	WIDTH	DEPTH	CABINET	HEIGHT	WIDTH	DEPTH		
								TYPE 1 FORD FLOOR PLAN	
50" AISLE								DATE: 3/3/21 DWN BY: AP	SCALE: DWG NO: 8 / 9

CA111117

MODEL 1170F

170 x 95 x 72



BE ADVISED THAT THESE ARE PRELIMINARY LAYOUTS INTENDED TO ILLUSTRATE DESIGN INTENT AND DIMENSIONS ARE FOR REFERENCE ONLY PRIOR TO FINAL ENGINEERING

INTERIOR CABINET DIMENSIONS IN INCHES

CABINET	HEIGHT	WIDTH	DEPTH	CABINET	HEIGHT	WIDTH	DEPTH



TYPE 1 FORD
LINER

DATE: 3/3/21

SCALE

DWN BY AP

DWG NO 9 / 9

50" AISLE