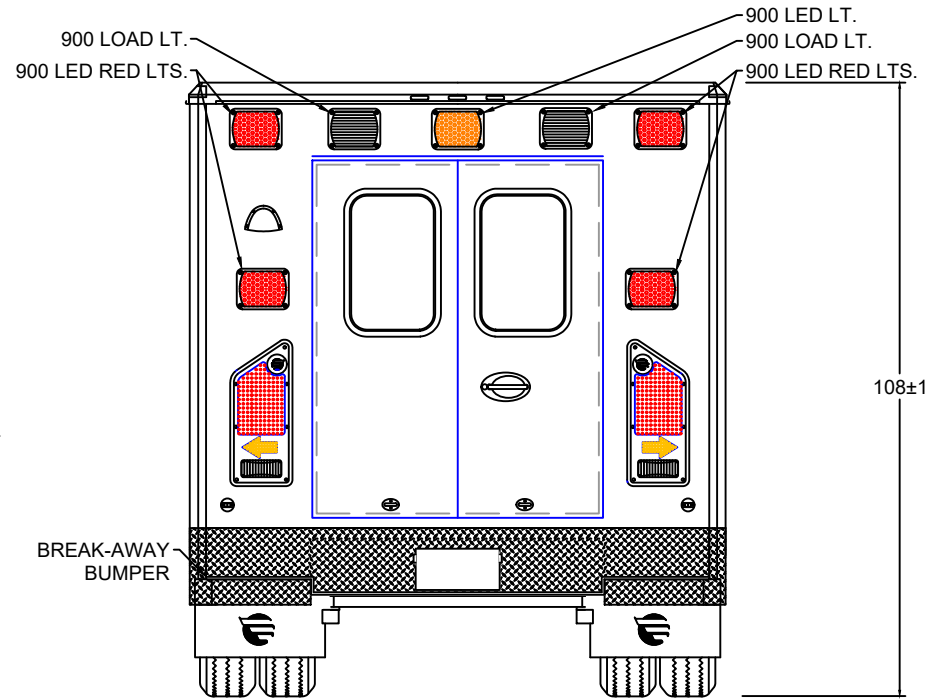
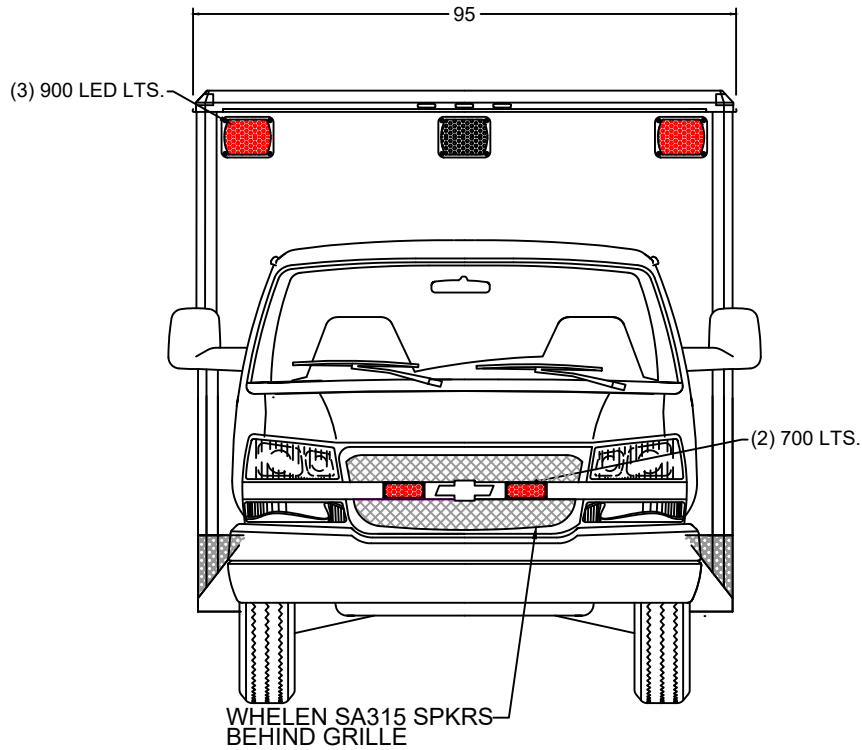


CA151496

MODEL 3153C

153 x 95 x 72



EXTERIOR COMPARTMENT DIMENSIONS IN INCHES

INTERIOR DIMENSIONS				PASS THRU		INTERIOR DIMENSIONS				JAMB OPENING	
COMPT.	HEIGHT	WIDTH	DEPTH	HEIGHT	WIDTH	COMPT.	HEIGHT	WIDTH	DEPTH	HEIGHT	WIDTH



TYPE 3 CHEVY
FRONT / REAR
EXTERIOR VIEWS

BE ADVISED THAT THESE ARE PRELIMINARY LAYOUTS INTENDED TO ILLUSTRATE DESIGN INTENT AND DIMENSIONS ARE FOR REFERENCE ONLY PRIOR TO FINAL ENGINEERING

DATE: 3/10/21

SCALE

DWN BY AP

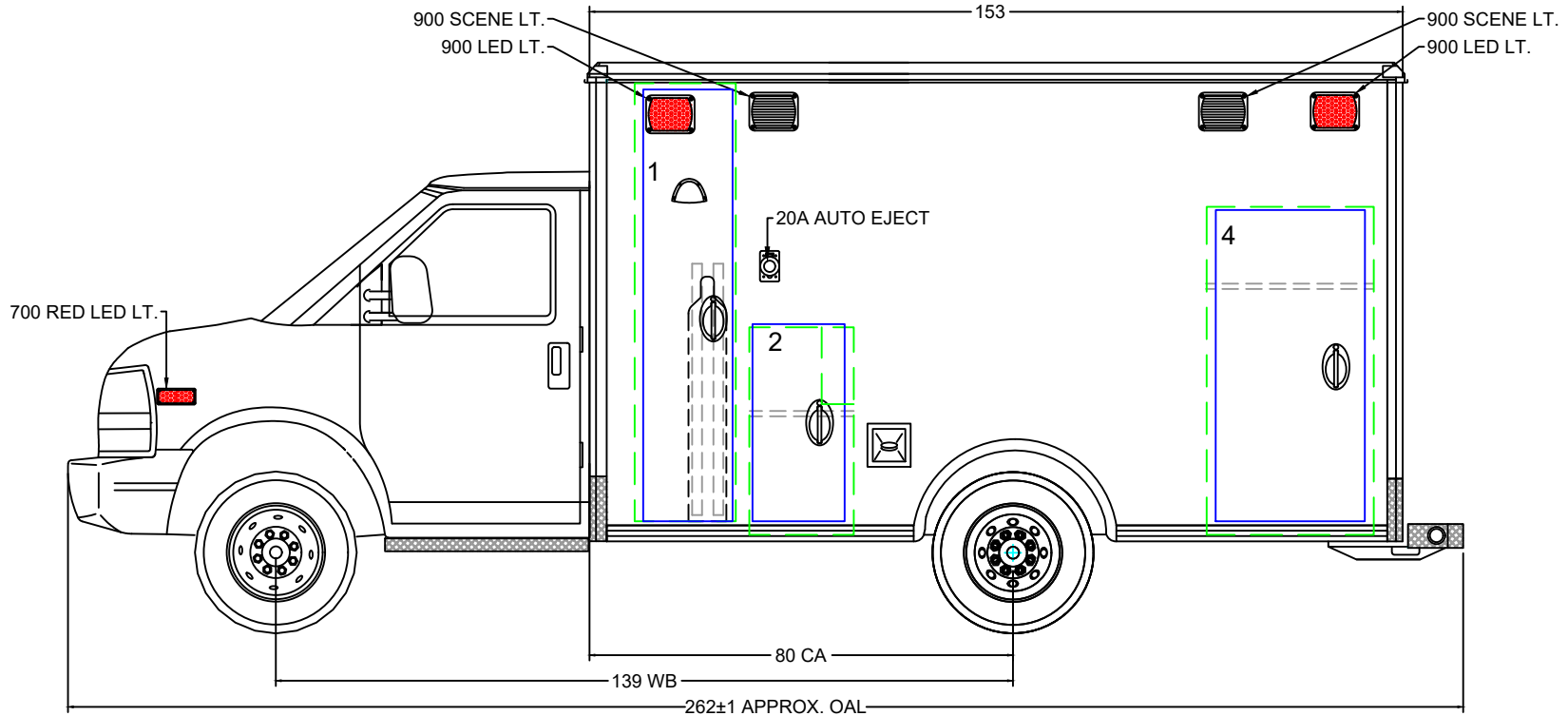
DWG NO 1 / 9

50" AISLE


CA151496

MODEL 3153C

153 x 95 x 72



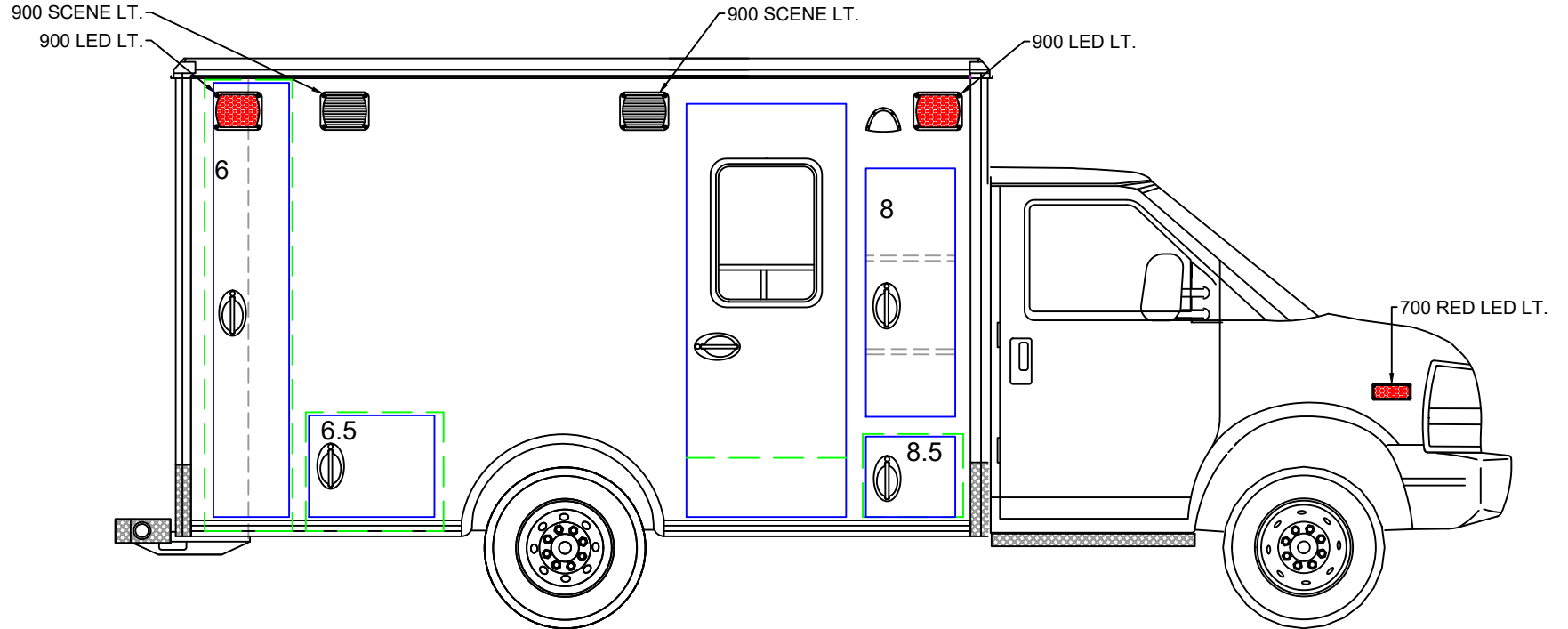
BE ADVISED THAT THESE ARE PRELIMINARY LAYOUTS INTENDED TO ILLUSTRATE DESIGN INTENT AND DIMENSIONS ARE FOR REFERENCE ONLY PRIOR TO FINAL ENGINEERING

EXTERIOR COMPARTMENT DIMENSIONS IN INCHES												 TYPE 3 CHEVY LEFT EXT. VIEW
INTERIOR DIMENSIONS				JAMB OPENING		INTERIOR DIMENSIONS				JAMB OPENING		
COMPT.	HEIGHT	WIDTH	DEPTH	HEIGHT	WIDTH	COMPT.	HEIGHT	WIDTH	DEPTH	HEIGHT	WIDTH	
4	61.50	31.50	17.00	58.50	28.00							
2	39.00	19.50	17.00	37.00	17.25							
1	82.50	19.00	17.00	82.00	17.00							
50" AISLE												DATE 3/10/21 DRAWN BY AP
												SCALE DWG NO 2 / 9

CA151496

MODEL 3153C

153 x 95 x 72



BE ADVISED THAT THESE ARE PRELIMINARY LAYOUTS INTENDED TO ILLUSTRATE DESIGN INTENT AND DIMENSIONS ARE FOR REFERENCE ONLY PRIOR TO FINAL ENGINEERING

EXTERIOR COMPARTMENT DIMENSIONS IN INCHES

INTERIOR DIMENSIONS				JAMB OPENING		INTERIOR DIMENSIONS				JAMB OPENING	
COMPT.	HEIGHT	WIDTH	DEPTH	HEIGHT	WIDTH	COMPT.	HEIGHT	WIDTH	DEPTH	HEIGHT	WIDTH
8				46.75	16.75						
8.5	15.50	19.00	18.75	15.00	16.75						
6.5	22.50	26.00	15.50	19.50	23.50						
6	85.00	16.50	18.25	82.00	14.25						



TYPE 3 CHEVY

RIGHT EXT. VIEW

DATE 3/10/21

SCALE

DRAWN BY AP

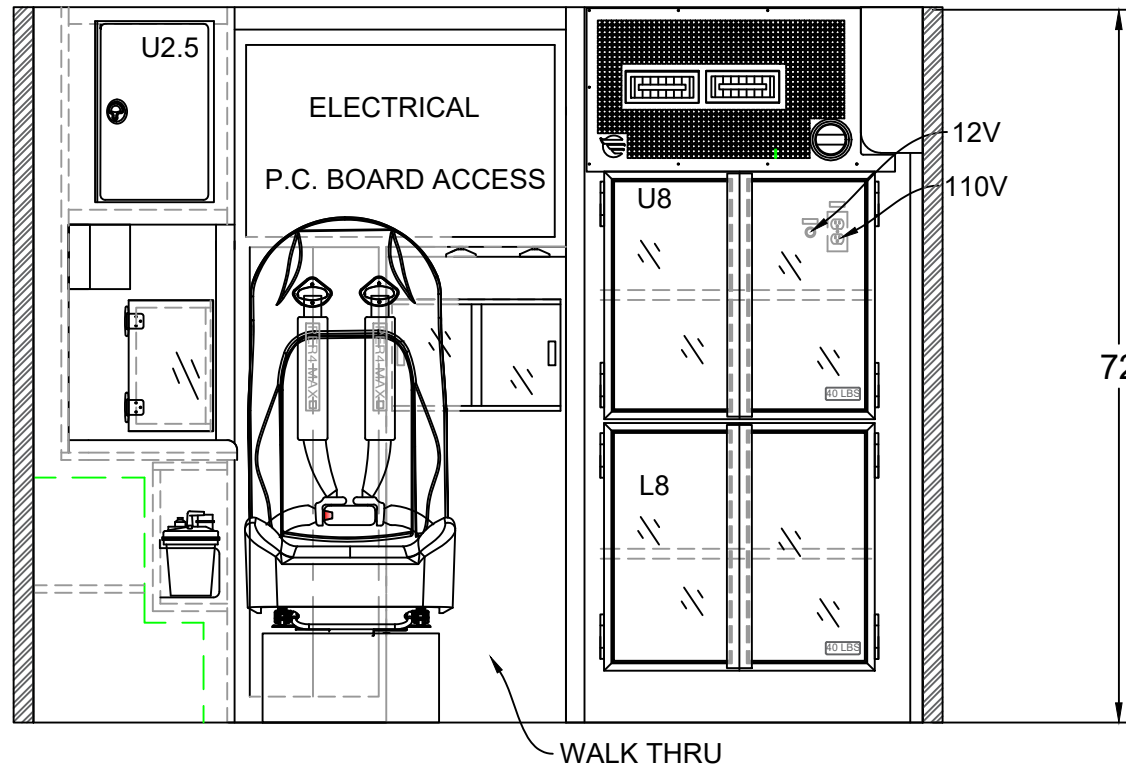
DWG NO 3 / 9

50" AISLE

CA151496

MODEL 3153C

153 x 95 x 72



BE ADVISED THAT THESE ARE PRELIMINARY LAYOUTS INTENDED TO ILLUSTRATE DESIGN INTENT AND DIMENSIONS ARE FOR REFERENCE ONLY PRIOR TO FINAL ENGINEERING

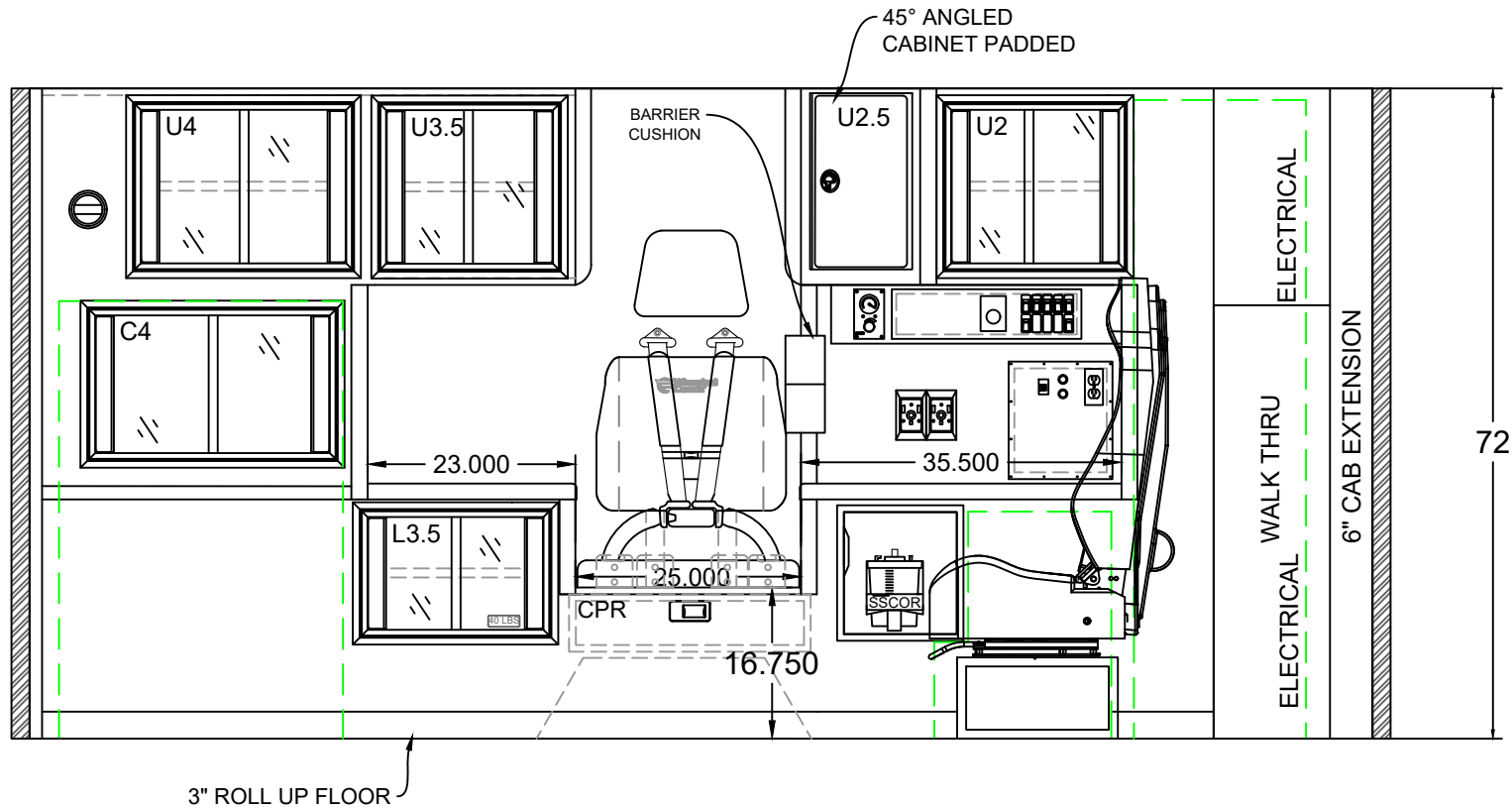
<p>CABINET WEIGHT RATINGS: NON-RESTOCKING = 40 LBS. RESTOCKING = 30 LBS.</p>	<p>INTERIOR CABINET DIMENSIONS IN INCHES</p>								
	CABINET	HEIGHT	WIDTH	DEPTH	CABINET	HEIGHT	WIDTH		DEPTH
	U8	24.50	33.50	19.00					
	L8	24.50	33.50	19.00					<p>TYPE 3 CHEVY BULKHEAD INTERIOR</p>
								DATE 3/10/21	SCALE
								DRAWN BY AP	DWG NO 4 / 9

50" AISLE

CA151496

MODEL 3153C

153 x 95 x 72



INTERIOR CABINET DIMENSIONS IN INCHES

CABINET	HEIGHT	WIDTH	DEPTH		CABINET	HEIGHT	WIDTH	DEPTH	
C4	17.00	27.25	IS/OS		U2.5	18.75	20.25	15.25	
U4	18.75	24.50	17.50		L3.5	14.25	20.25	17.50	
U3.5	18.75	20.25	17.50		CPR	4.50	23.50	17.50	
U2.5	19.50	13.50	15.25						



TYPE 3 CHEVY
LEFT INTERIOR

DATE: 3/10/21 SCALE:
DWN BY: AP DWG NO: 5 / 9

50" AISLE

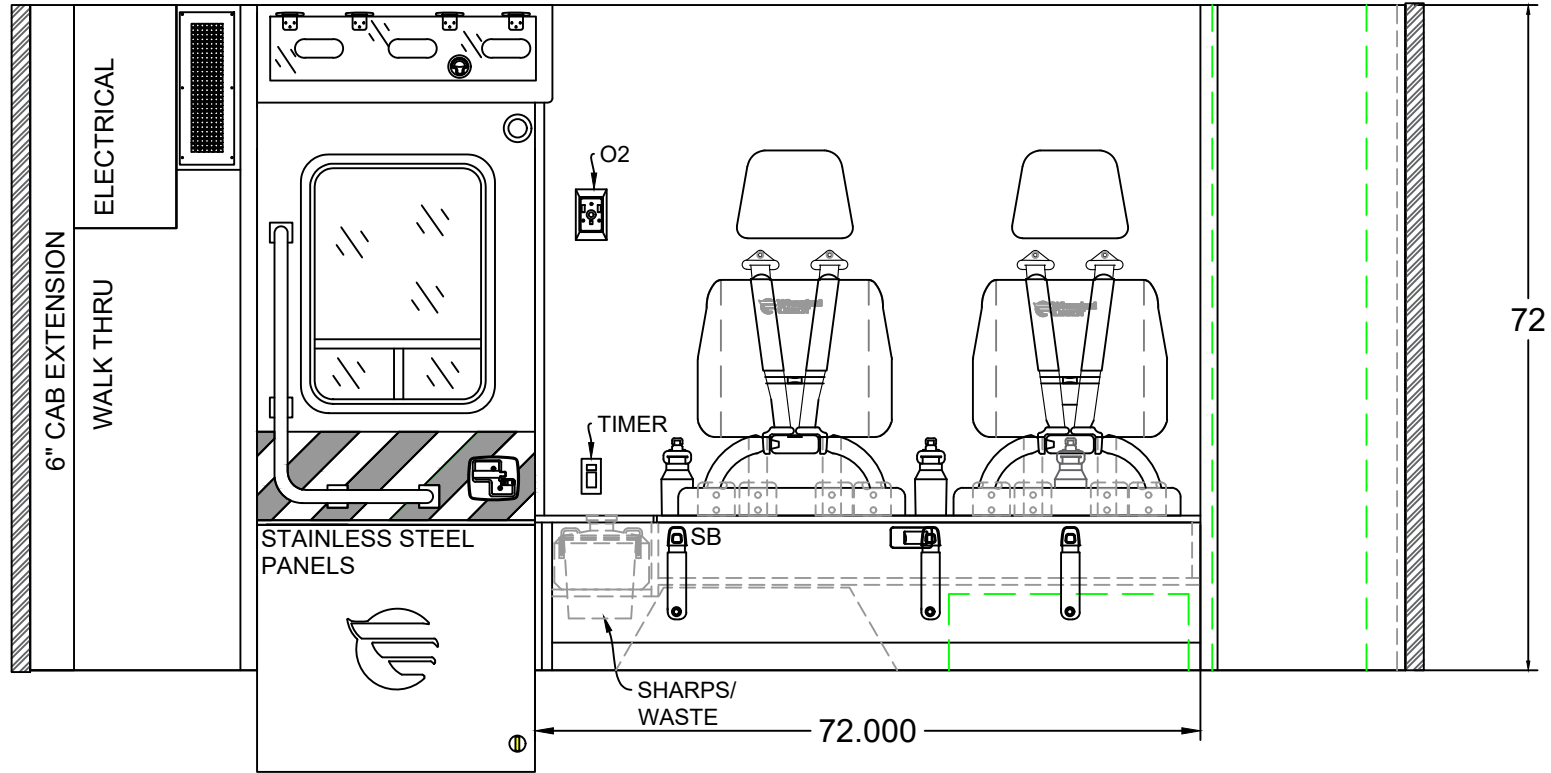
CABINET WEIGHT RATINGS:
NON-RESTOCKING = 40 LBS.
RESTOCKING = 30 LBS.

BE ADVISED THAT THESE ARE PRELIMINARY LAYOUTS INTENDED TO ILLUSTRATE DESIGN INTENT AND DIMENSIONS ARE FOR REFERENCE ONLY PRIOR TO FINAL ENGINEERING

CA151496

MODEL 3153C

153 x 95 x 72



INTERIOR CABINET DIMENSIONS IN INCHES

COMPT.	HEIGHT	WIDTH	DEPTH		COMPT.	HEIGHT	WIDTH	DEPTH	
SB	6.00	57.75	16.75						

50" AISLE

CABINET WEIGHT RATINGS:
NON-RESTOCKING = 40 LBS.
RESTOCKING = 30 LBS.

BE ADVISED THAT THESE ARE PRELIMINARY LAYOUTS INTENDED TO ILLUSTRATE DESIGN INTENT AND DIMENSIONS ARE FOR REFERENCE ONLY PRIOR TO FINAL ENGINEERING



TYPE 3 CHEVY
RIGHT INTERIOR

DATE: 3/10/21

SCALE

DRAWN BY

AP

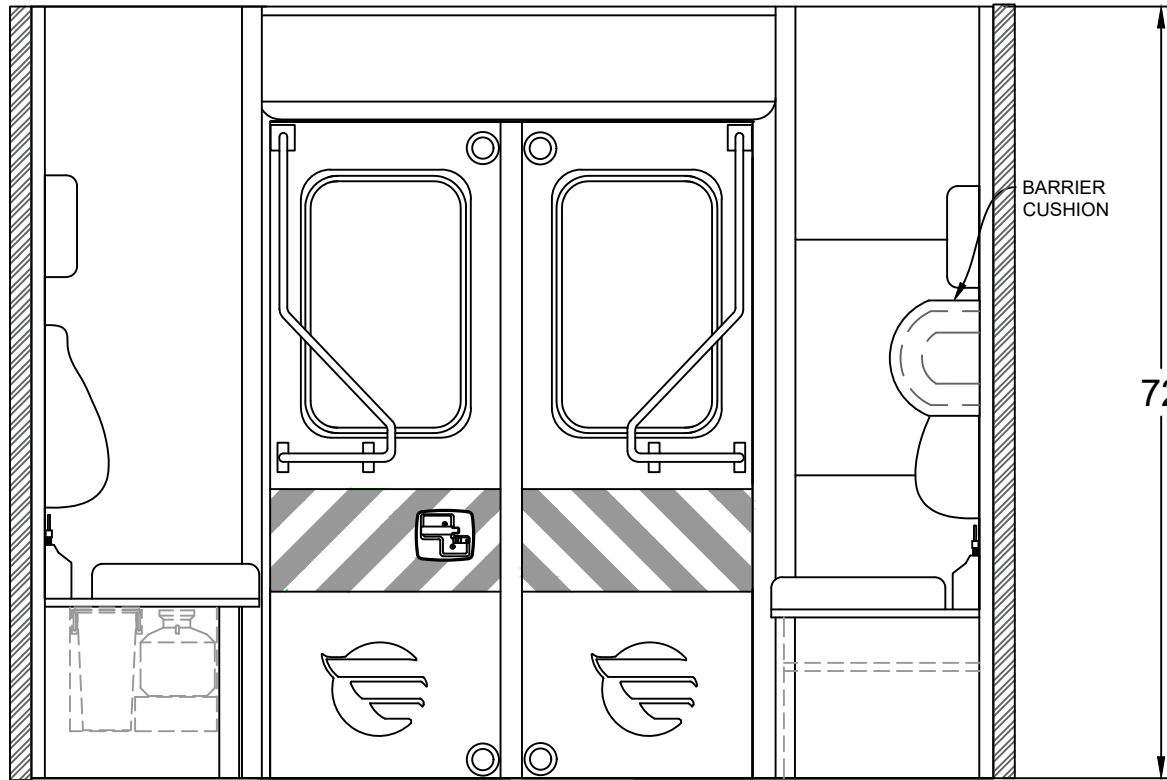
DWG NO

6 / 9

CA151496

MODEL 3153C

153 x 95 x 72



INTERIOR CABINET DIMENSIONS IN INCHES

COMPT.	HEIGHT	WIDTH	DEPTH		COMPT.	HEIGHT	WIDTH	DEPTH	

50" AISLE

CABINET WEIGHT RATINGS:
NON-RESTOCKING = 40 LBS.
RESTOCKING = 30 LBS.

BE ADVISED THAT THESE ARE PRELIMINARY LAYOUTS INTENDED TO ILLUSTRATE DESIGN INTENT AND DIMENSIONS ARE FOR REFERENCE ONLY PRIOR TO FINAL ENGINEERING



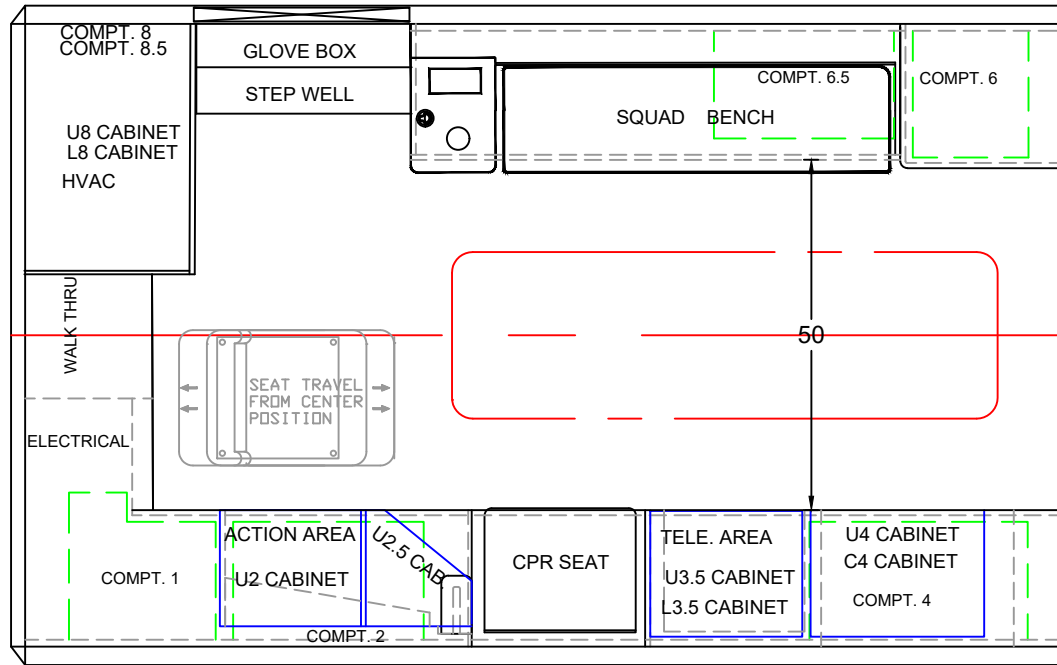
TYPE 3 CHEVY
REAR BULKHEAD INTERIOR

DATE:	3/10/21	SCALE	
DWN BY:	AP	DWG NO:	7 / 9

CA151496

MODEL 3153C

153 x 95 x 72



BE ADVISED THAT THESE ARE PRELIMINARY LAYOUTS INTENDED TO ILLUSTRATE DESIGN INTENT AND DIMENSIONS ARE FOR REFERENCE ONLY PRIOR TO FINAL ENGINEERING

INTERIOR CABINET DIMENSIONS IN INCHES

CABINET	HEIGHT	WIDTH	DEPTH	CABINET	HEIGHT	WIDTH	DEPTH



TYPE 3 CHEVY
FLOOR PLAN

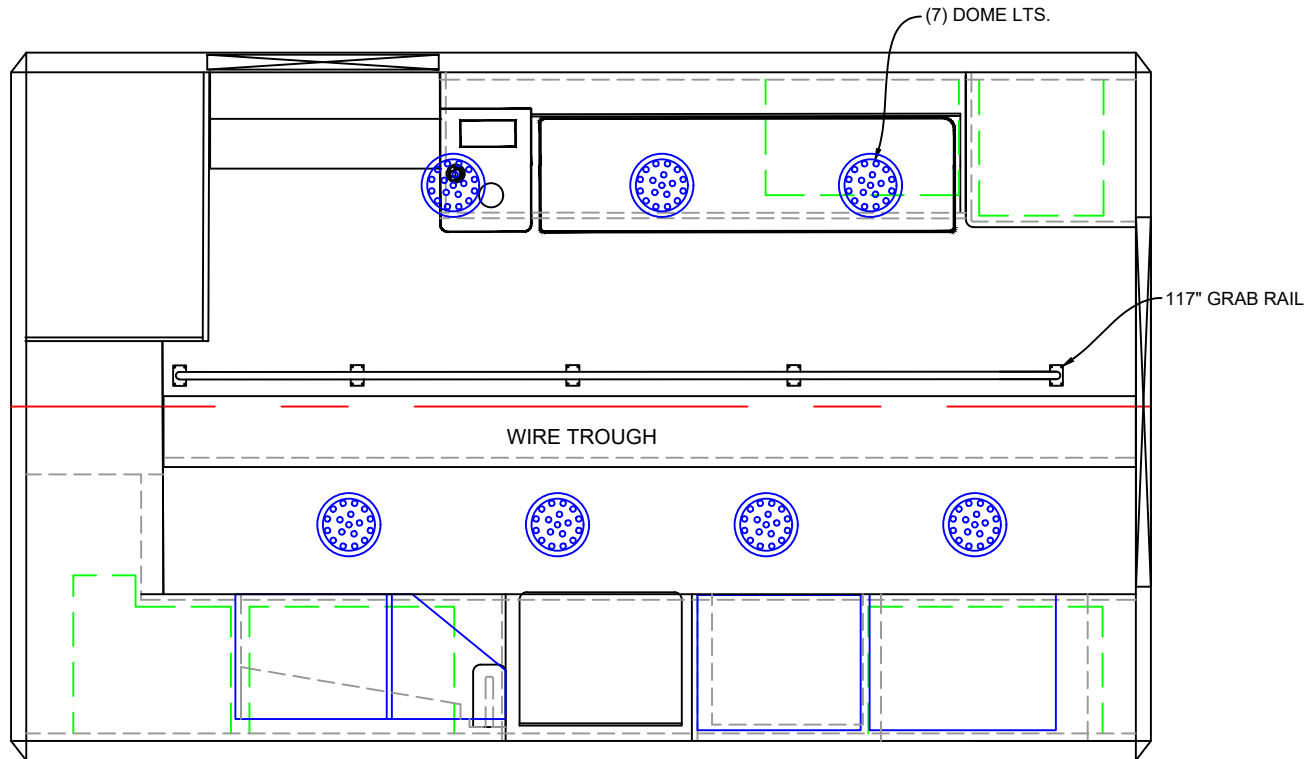
DATE:	3/10/21	SCALE:	
DWN BY:	AP	DWG NO:	8 / 9

50" AISLE

CA151496

MODEL 3153C

153 x 95 x 72



BE ADVISED THAT THESE ARE PRELIMINARY LAYOUTS INTENDED TO ILLUSTRATE DESIGN INTENT AND DIMENSIONS ARE FOR REFERENCE ONLY PRIOR TO FINAL ENGINEERING

INTERIOR CABINET DIMENSIONS IN INCHES

CABINET	HEIGHT	WIDTH	DEPTH	CABINET	HEIGHT	WIDTH	DEPTH



TYPE 3 CHEVY
LINER

DATE:	3/10/21	SCALE:	
DWN BY:	AP	DWG NO:	9 / 9

50" AISLE