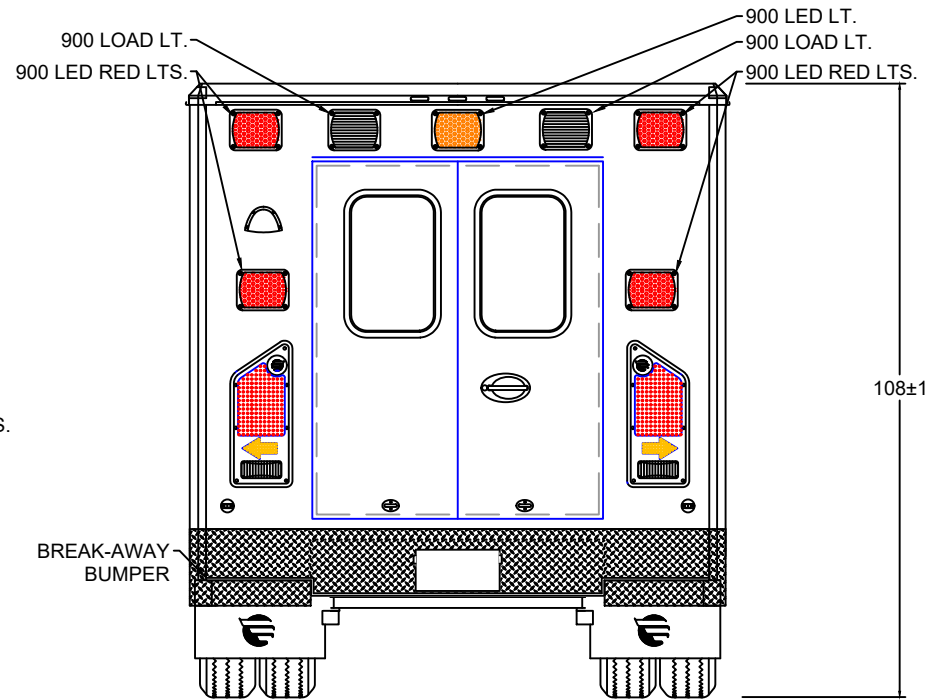
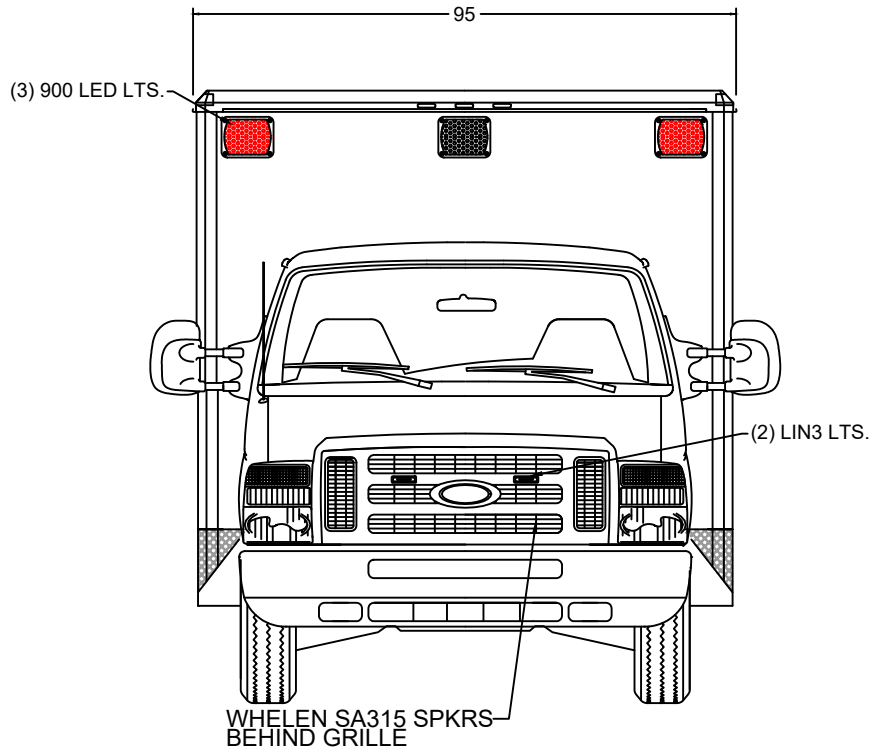


CA151496

MODEL 3153F

153 x 95 x 72



EXTERIOR COMPARTMENT DIMENSIONS IN INCHES

INTERIOR DIMENSIONS				PASS THRU		INTERIOR DIMENSIONS				JAMB OPENING	
COMPT.	HEIGHT	WIDTH	DEPTH	HEIGHT	WIDTH	COMPT.	HEIGHT	WIDTH	DEPTH	HEIGHT	WIDTH



TYPE 3 FORD
FRONT / REAR
EXTERIOR VIEWS

BE ADVISED THAT THESE ARE PRELIMINARY LAYOUTS INTENDED TO ILLUSTRATE DESIGN INTENT AND DIMENSIONS ARE FOR REFERENCE ONLY PRIOR TO FINAL ENGINEERING

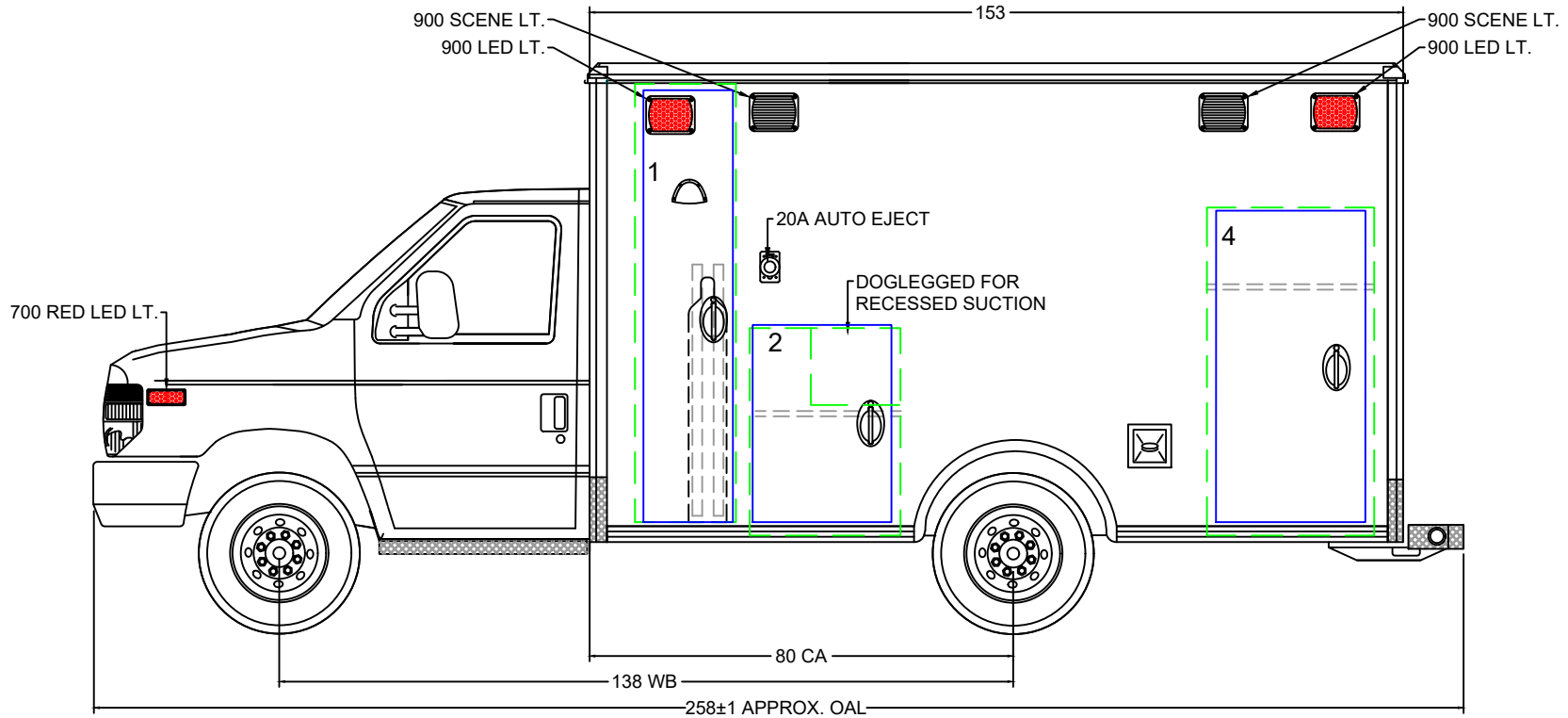
DATE:	3/18/21	SCALE
DWN BY:	AP	DWG NO
		1 / 9

50" AISLE


CA151496

MODEL 3153F

153 x 95 x 72



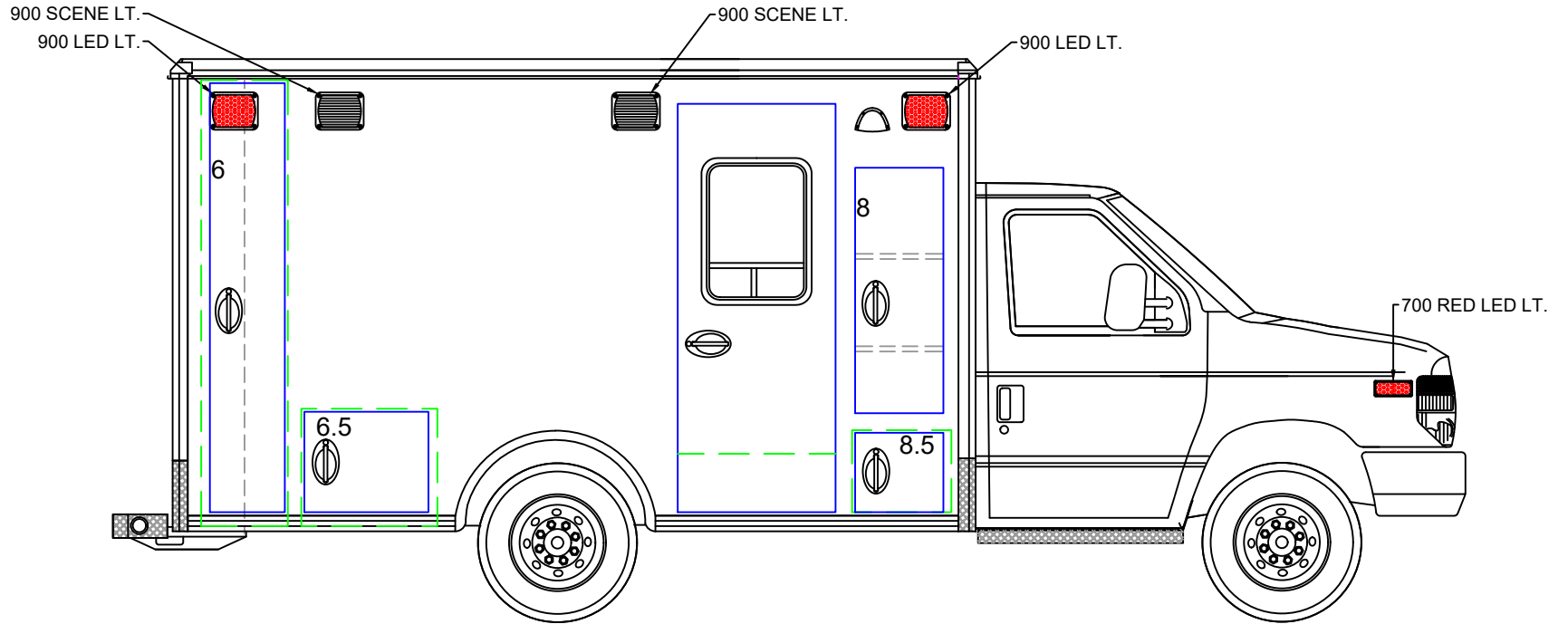
BE ADVISED THAT THESE ARE PRELIMINARY LAYOUTS INTENDED TO ILLUSTRATE DESIGN INTENT AND DIMENSIONS ARE FOR REFERENCE ONLY PRIOR TO FINAL ENGINEERING

EXTERIOR COMPARTMENT DIMENSIONS IN INCHES												 TYPE 3 FORD LEFT EXT. VIEW
INTERIOR DIMENSIONS				JAMB OPENING		INTERIOR DIMENSIONS				JAMB OPENING		
COMPT.	HEIGHT	WIDTH	DEPTH	HEIGHT	WIDTH	COMPT.	HEIGHT	WIDTH	DEPTH	HEIGHT	WIDTH	
4	61.50	31.50	17.00	58.50	28.00							
2	39.00	28.50	17.00	37.00	26.00							
1	82.50	19.00	17.00	82.00	17.00							
50" AISLE												DATE 3/18/21 DRAWN BY AP
												SCALE DWG NO 2 / 9


CA151496

MODEL 3153F

153 x 95 x 72



BE ADVISED THAT THESE ARE PRELIMINARY LAYOUTS INTENDED TO ILLUSTRATE DESIGN INTENT AND DIMENSIONS ARE FOR REFERENCE ONLY PRIOR TO FINAL ENGINEERING

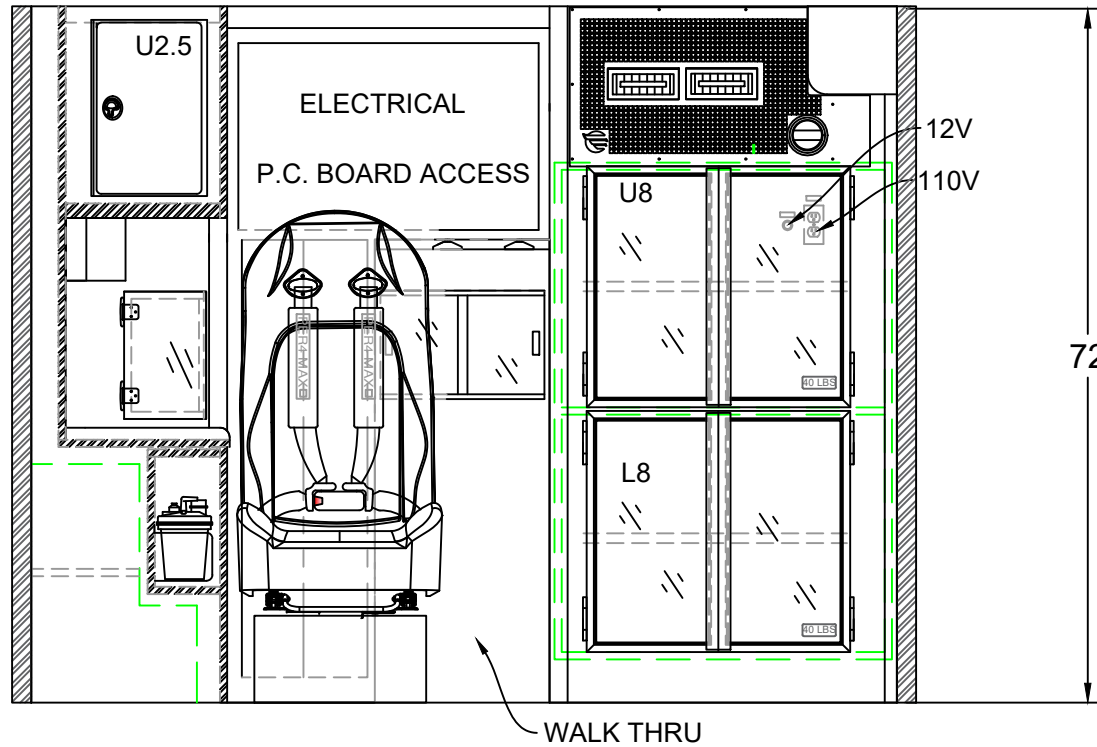
EXTERIOR COMPARTMENT DIMENSIONS IN INCHES												
INTERIOR DIMENSIONS				JAMB OPENING		INTERIOR DIMENSIONS				JAMB OPENING		
COMPT.	HEIGHT	WIDTH	DEPTH	HEIGHT	WIDTH	COMPT.	HEIGHT	WIDTH	DEPTH	HEIGHT	WIDTH	
8				46.75	16.75							
8.5	15.50	19.00	18.75	15.00	16.75							
6.5	22.50	26.00	15.50	19.50	23.50							
6	85.00	16.50	18.25	82.00	14.25							
50" AISLE												DATE 3/18/21 SCALE DRAWN BY AP DWG NO 3 / 9

TYPE 3 FORD
RIGHT EXT. VIEW

CA151496

MODEL 3153F

153 x 95 x 72



BE ADVISED THAT THESE ARE PRELIMINARY LAYOUTS INTENDED TO ILLUSTRATE DESIGN INTENT AND DIMENSIONS ARE FOR REFERENCE ONLY PRIOR TO FINAL ENGINEERING

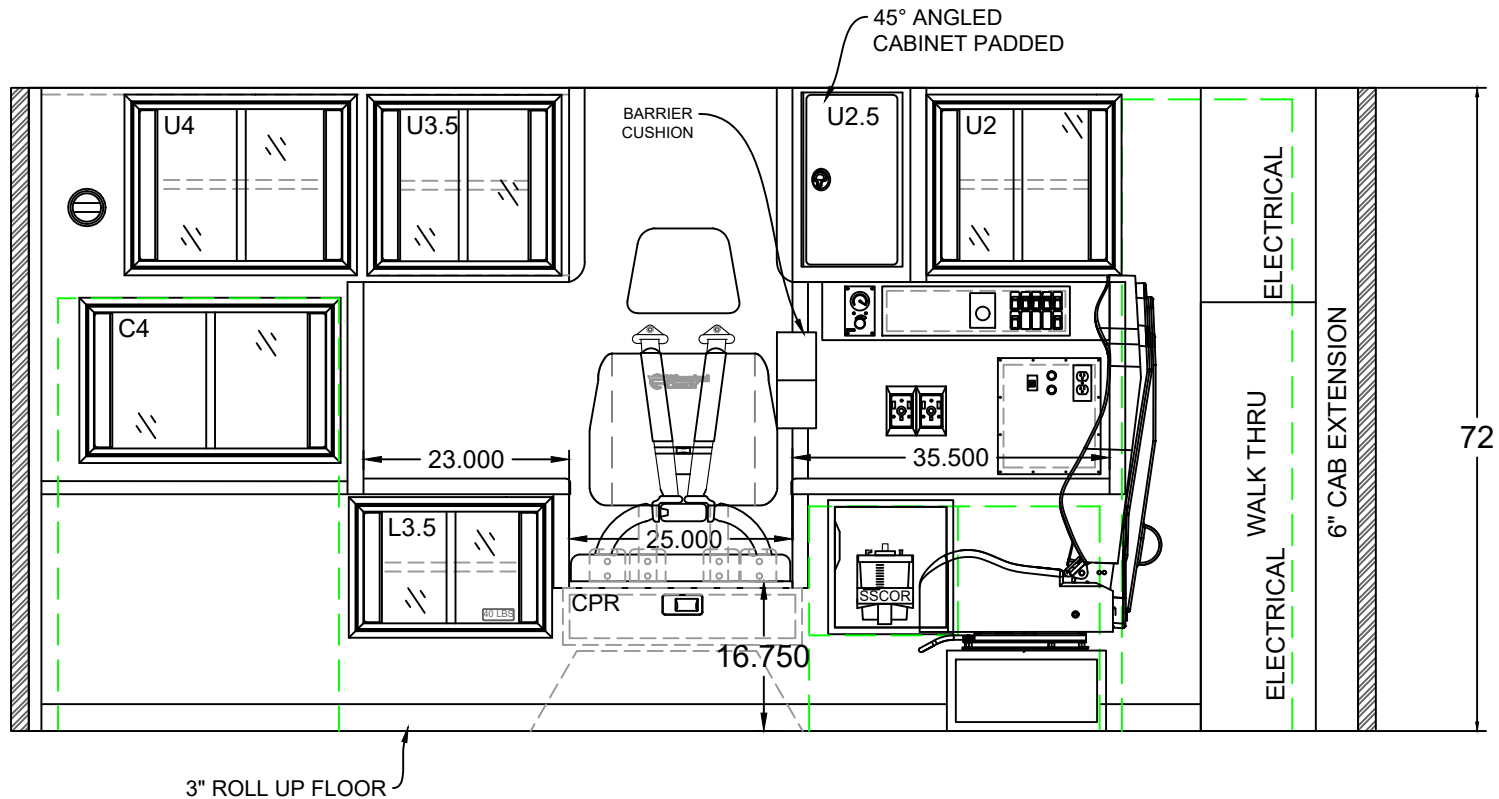
<p>CABINET WEIGHT RATINGS: NON-RESTOCKING = 40 LBS. RESTOCKING = 30 LBS.</p>	<p>INTERIOR CABINET DIMENSIONS IN INCHES</p>								
	CABINET	HEIGHT	WIDTH	DEPTH	CABINET	HEIGHT	WIDTH		DEPTH
	U8	24.50	33.50	19.00					
	L8	24.50	33.50	19.00					<p>TYPE 3 FORD BULKHEAD INTERIOR</p>
								DATE 3/18/21	SCALE
								DRAWN BY AP	DWG NO 4 / 9

50" AISLE

CA151496

MODEL 3153F

153 x 95 x 72



INTERIOR CABINET DIMENSIONS IN INCHES

CABINET	HEIGHT	WIDTH	DEPTH		CABINET	HEIGHT	WIDTH	DEPTH	
C4	17.00	27.25	IS/OS		U2	18.75	20.25	15.25	
U4	18.75	24.50	17.50		U3.5	14.25	20.25	17.50	
U3.5	18.75	20.25	17.50		CPR	4.50	23.50	17.50	
U2.5	19.50	13.50	15.25						



TYPE 3 FORD

LEFT INTERIOR

DATE:	3/18/21	SCALE:	
DWN BY:	AP	DWG NO:	5 / 9

50" AISLE

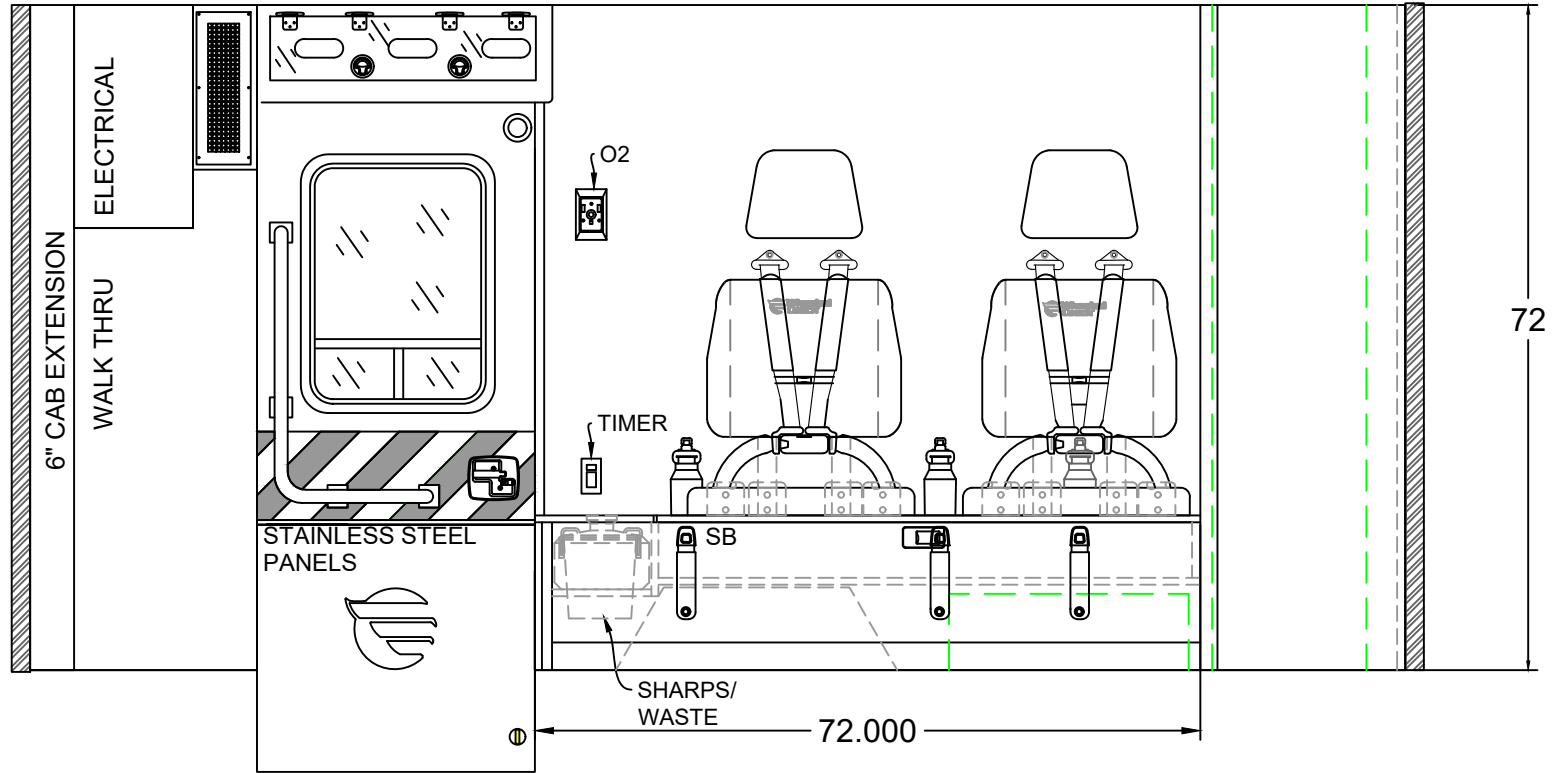
CABINET WEIGHT RATINGS:
NON-RESTOCKING = 40 LBS.
RESTOCKING = 30 LBS.

BE ADVISED THAT THESE ARE PRELIMINARY LAYOUTS INTENDED TO ILLUSTRATE DESIGN INTENT AND DIMENSIONS ARE FOR REFERENCE ONLY PRIOR TO FINAL ENGINEERING

CA151496

MODEL 3153F

153 x 95 x 72



INTERIOR CABINET DIMENSIONS IN INCHES

COMPT.	HEIGHT	WIDTH	DEPTH	COMPT.	HEIGHT	WIDTH	DEPTH
SB	6.00	57.75	16.75				



TYPE 3 FORD
RIGHT INTERIOR

DATE: 3/18/21	SCALE
DRAWN BY: AP	DWG NO: 6 / 9

50" AISLE

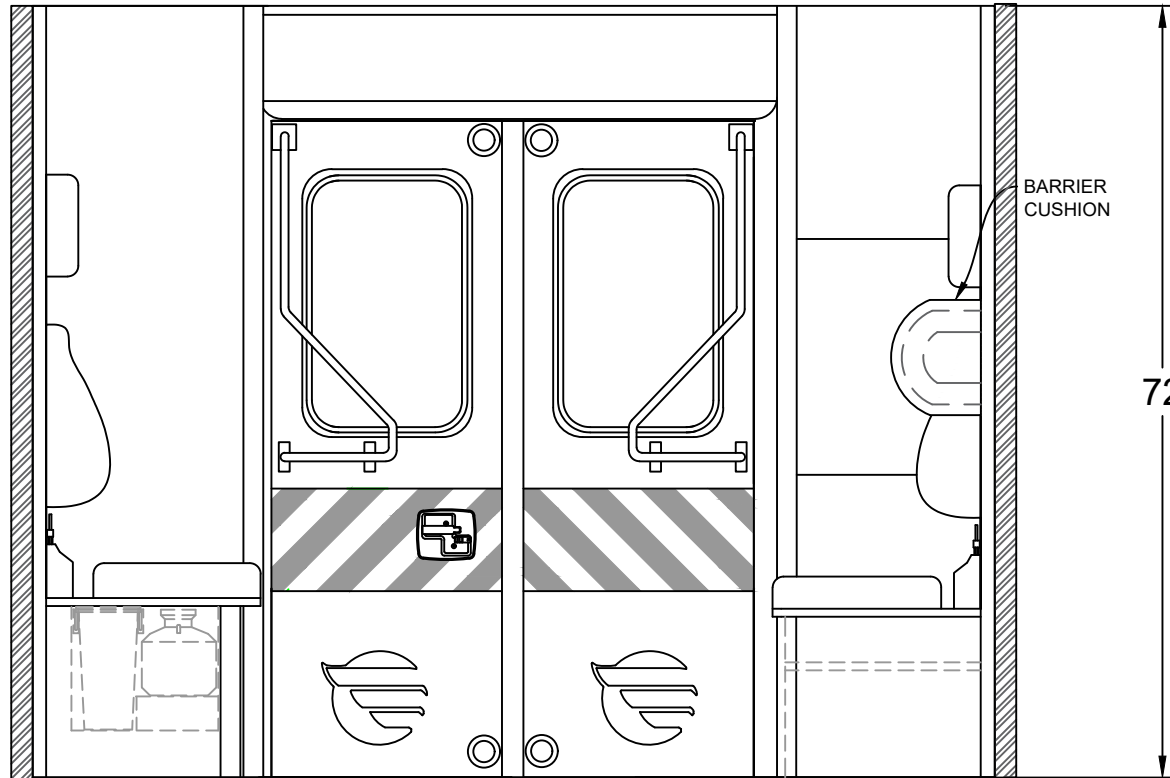
CABINET WEIGHT RATINGS:
NON-RESTOCKING = 40 LBS.
RESTOCKING = 30 LBS.

BE ADVISED THAT THESE ARE PRELIMINARY LAYOUTS INTENDED TO ILLUSTRATE DESIGN INTENT AND DIMENSIONS ARE FOR REFERENCE ONLY PRIOR TO FINAL ENGINEERING

CA151496

MODEL 3153F

153 x 95 x 72



INTERIOR CABINET DIMENSIONS IN INCHES

COMPT.	HEIGHT	WIDTH	DEPTH		COMPT.	HEIGHT	WIDTH	DEPTH	

50" AISLE

CABINET WEIGHT RATINGS:
NON-RESTOCKING = 40 LBS.
RESTOCKING = 30 LBS.

BE ADVISED THAT THESE ARE PRELIMINARY LAYOUTS INTENDED TO ILLUSTRATE DESIGN INTENT AND DIMENSIONS ARE FOR REFERENCE ONLY PRIOR TO FINAL ENGINEERING



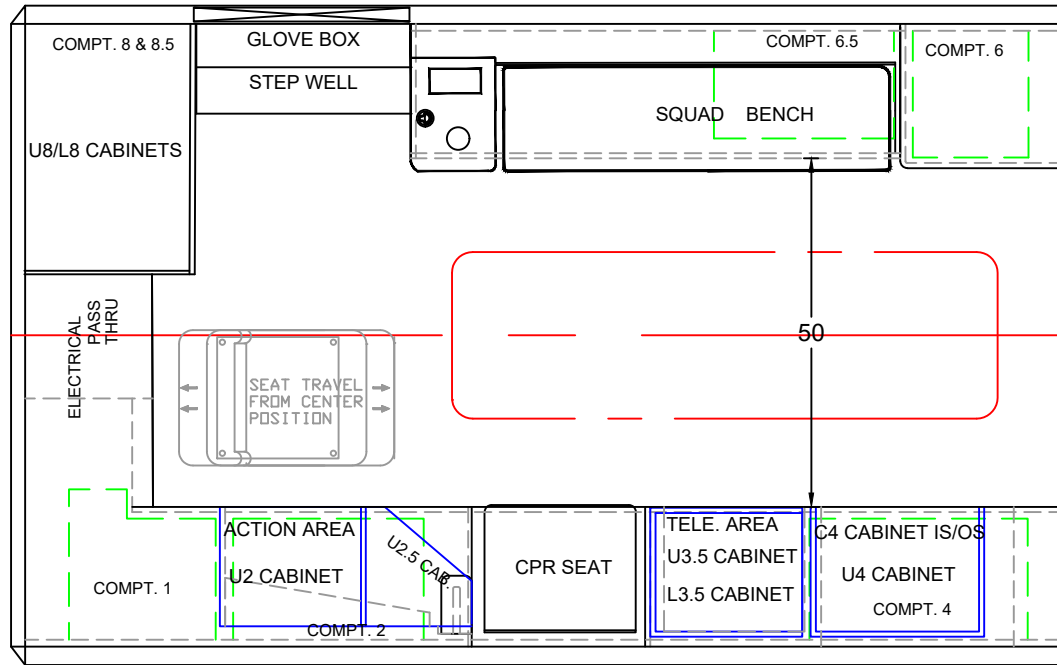
TYPE 3 FORD
REAR BULKHEAD INTERIOR

DATE:	3/18/21	SCALE	
DWN BY:	AP	DWG NO:	7 / 9

CA151496

MODEL 3153F

153 x 95 x 72



BE ADVISED THAT THESE ARE PRELIMINARY LAYOUTS INTENDED TO ILLUSTRATE DESIGN INTENT AND DIMENSIONS ARE FOR REFERENCE ONLY PRIOR TO FINAL ENGINEERING

INTERIOR CABINET DIMENSIONS IN INCHES

CABINET	HEIGHT	WIDTH	DEPTH	CABINET	HEIGHT	WIDTH	DEPTH



TYPE 3 FORD
FLOOR PLAN

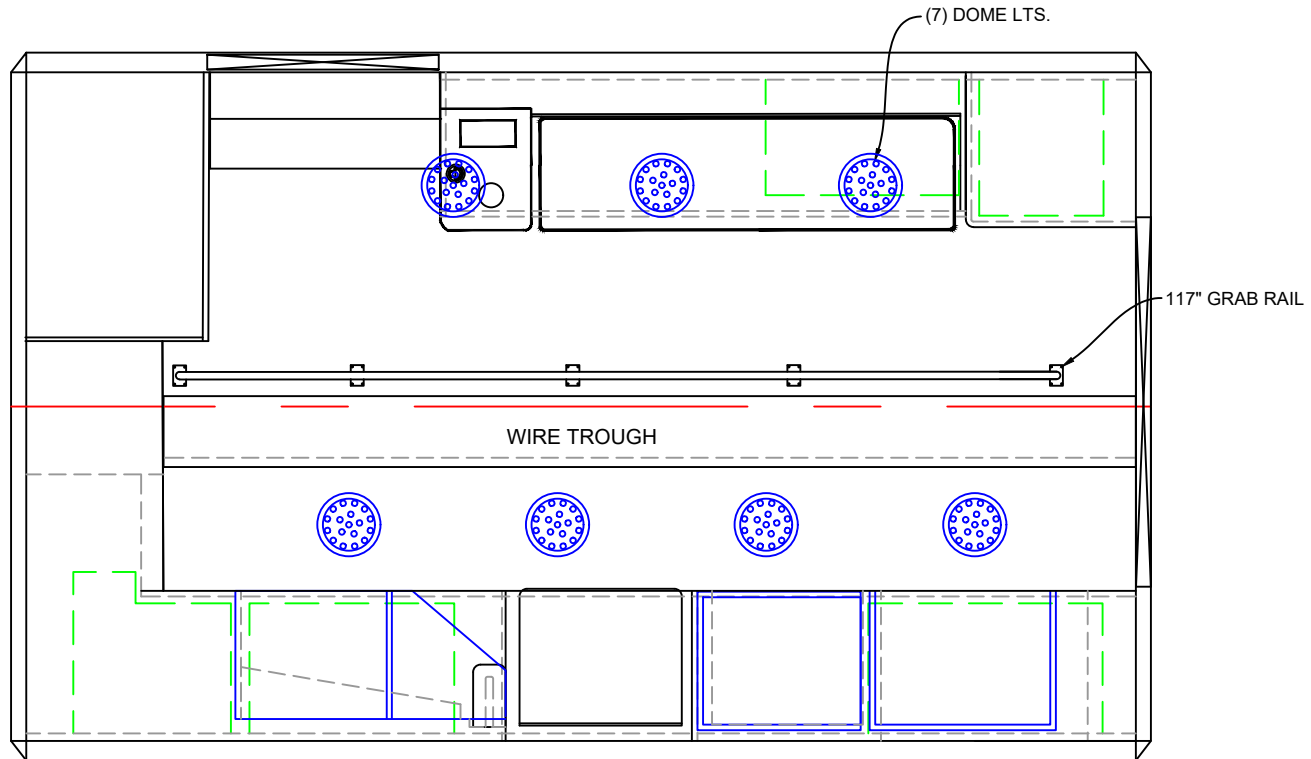
DATE:	3/18/21	SCALE:	
DWN BY:	AP	DWG NO:	8 / 9

50" AISLE

CA151496

MODEL 3153F

153 x 95 x 72



BE ADVISED THAT THESE ARE PRELIMINARY LAYOUTS INTENDED TO ILLUSTRATE DESIGN INTENT AND DIMENSIONS ARE FOR REFERENCE ONLY PRIOR TO FINAL ENGINEERING

INTERIOR CABINET DIMENSIONS IN INCHES

CABINET	HEIGHT	WIDTH	DEPTH	CABINET	HEIGHT	WIDTH	DEPTH



TYPE 3 FORD
LINER

DATE:	3/18/21	SCALE:	
DWN BY:	AP	DWG NO:	9 / 9

50" AISLE