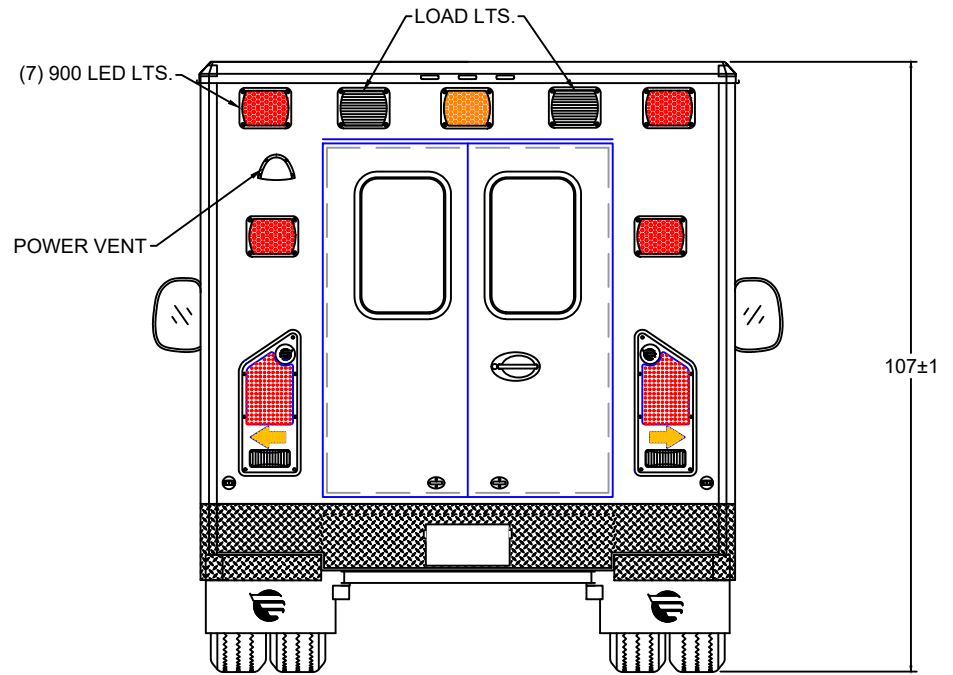
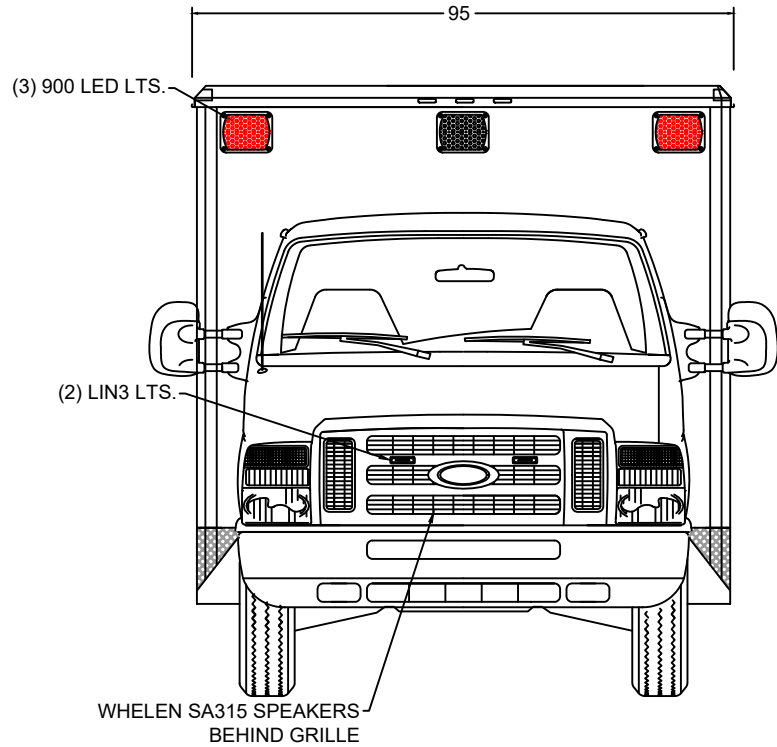


CA101300

MODEL 3165F

165 x 95 x 72



EXTERIOR COMPARTMENT DIMENSIONS IN INCHES

INTERIOR DIMENSIONS				PASS THRU		INTERIOR DIMENSIONS				JAMB OPENING	
COMPT.	HEIGHT	WIDTH	DEPTH	HEIGHT	WIDTH	COMPT.	HEIGHT	WIDTH	DEPTH	HEIGHT	WIDTH



TYPE 3 FORD
FRONT / REAR
EXTERIOR VIEWS

BE ADVISED THAT THESE ARE PRELIMINARY LAYOUTS INTENDED TO ILLUSTRATE DESIGN INTENT AND DIMENSIONS ARE FOR REFERENCE ONLY PRIOR TO FINAL ENGINEERING

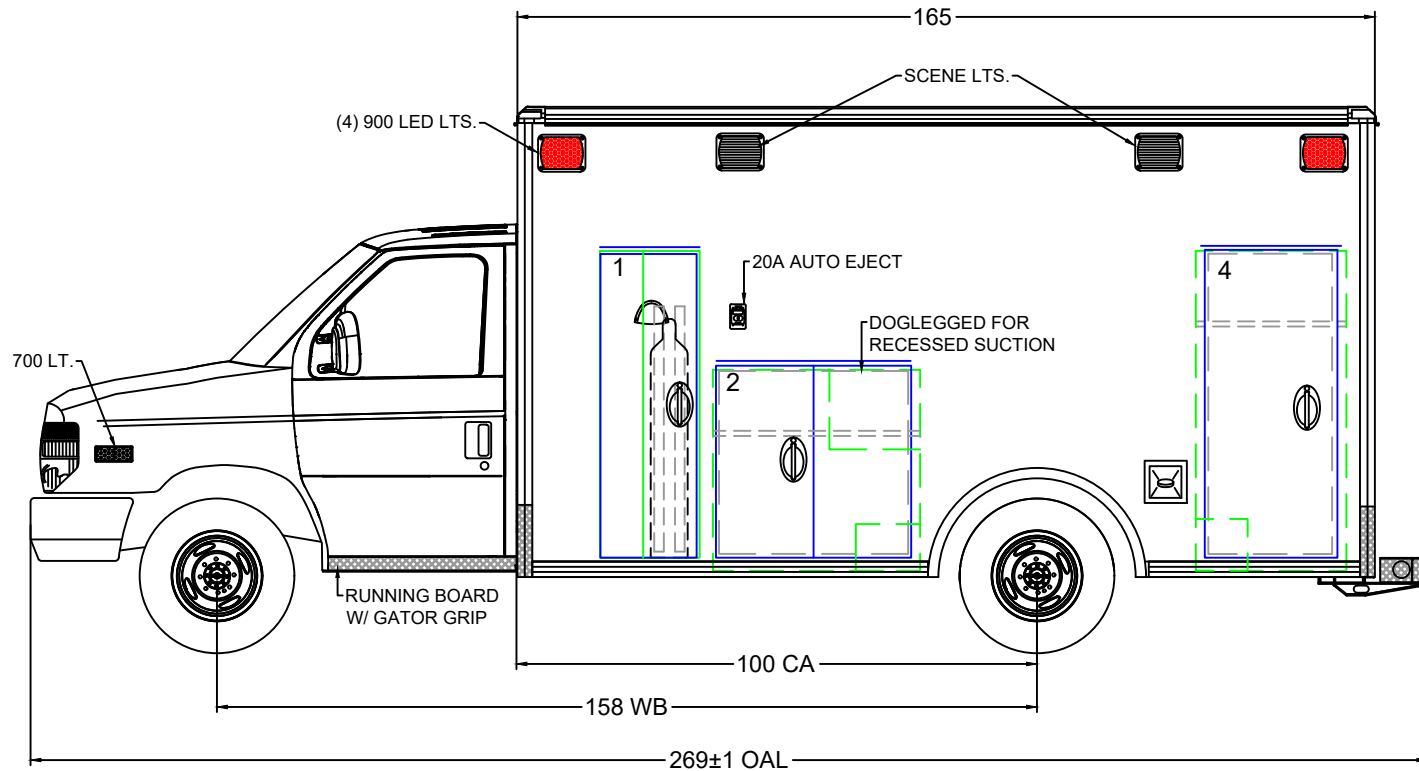
DATE:	3/19/21	SCALE
DWN BY:	AP	DWG NO
		1 / 9

50" AISLE

CA101300

MODEL 3165F

165 x 95 x 72



BE ADVISED THAT THESE ARE PRELIMINARY LAYOUTS INTENDED TO ILLUSTRATE DESIGN INTENT AND DIMENSIONS ARE FOR REFERENCE ONLY PRIOR TO FINAL ENGINEERING

EXTERIOR COMPARTMENT DIMENSIONS IN INCHES

INTERIOR DIMENSIONS				JAMB OPENING		INTERIOR DIMENSIONS				JAMB OPENING	
COMPT.	HEIGHT	WIDTH	DEPTH	HEIGHT	WIDTH	COMPT.	HEIGHT	WIDTH	DEPTH	HEIGHT	WIDTH
4	61.50	29.00	17.00	58.50	25.50						
2	38.75	40.00	17.00	37.00	37.50						
1	59.00	19.00	21.75/17.00	58.50	18.50						



TYPE 3 FORD

LEFT EXT. VIEW

DATE 3/19/21

SCALE

DRAWN BY AP

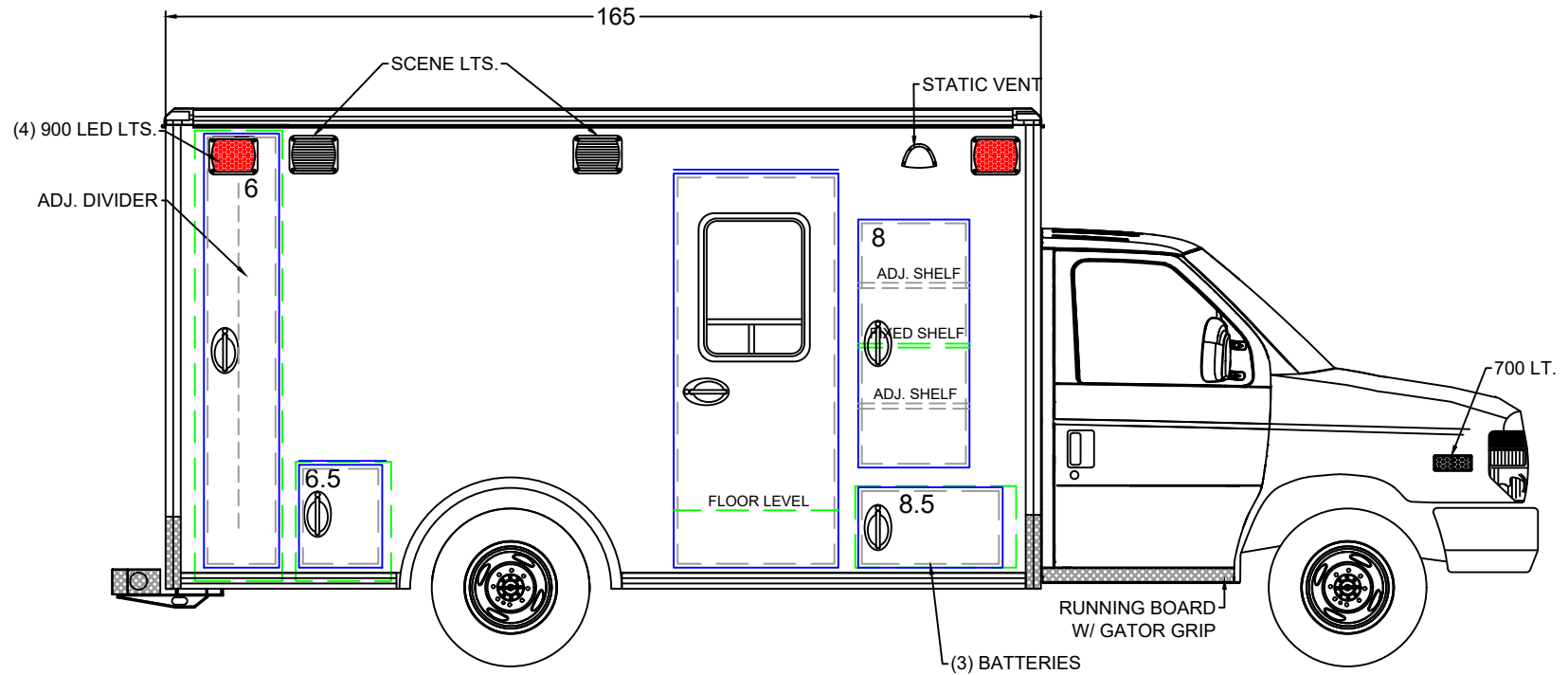
DWG NO 2 / 9

50" AISLE


CA101300

MODEL 3165F

165 x 95 x 72



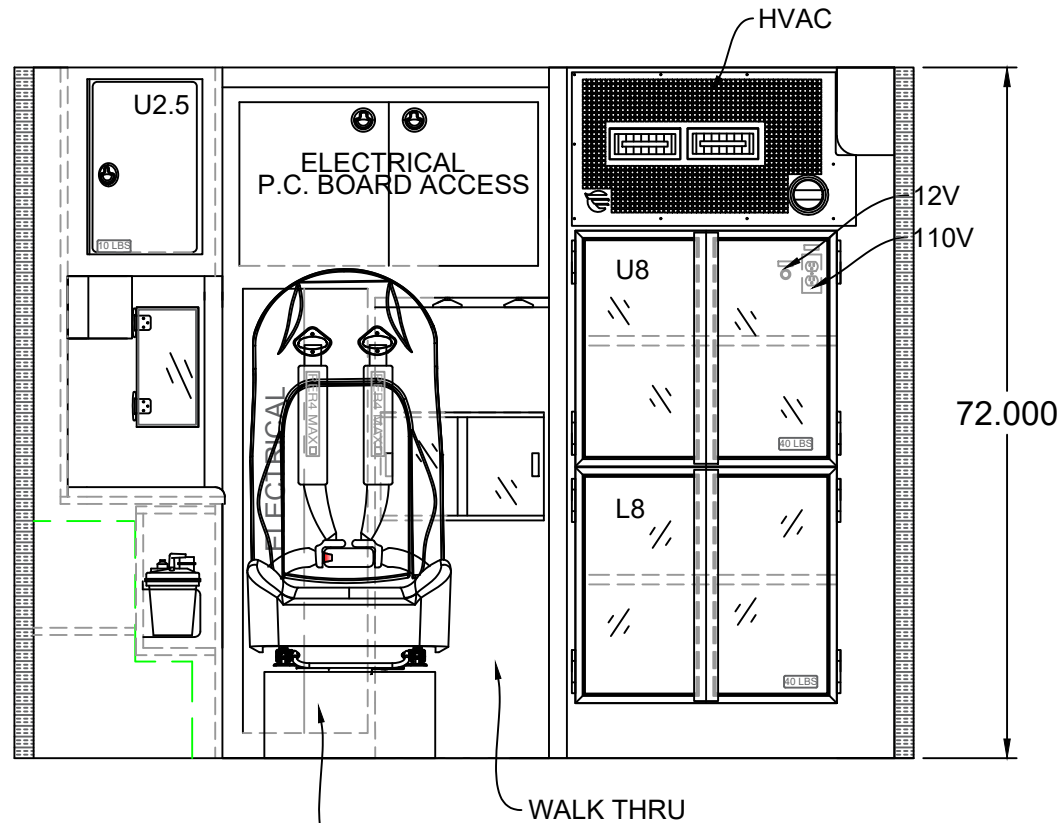
BE ADVISED THAT THESE ARE PRELIMINARY LAYOUTS INTENDED TO ILLUSTRATE DESIGN INTENT AND DIMENSIONS ARE FOR REFERENCE ONLY PRIOR TO FINAL ENGINEERING

EXTERIOR COMPARTMENT DIMENSIONS IN INCHES												 TYPE 3 FORD RIGHT EXT. VIEW
INTERIOR DIMENSIONS				JAMB OPENING		INTERIOR DIMENSIONS				JAMB OPENING		
COMPT.	HEIGHT	WIDTH	DEPTH	HEIGHT	WIDTH	COMPT.	HEIGHT	WIDTH	DEPTH	HEIGHT	WIDTH	
8				46.75	21.00							
8.5	15.25	30.25	19.00	15.00	27.25							
6.5	22.50	18.00	15.50	19.25	15.50							
6	85.00	16.50	18.25	81.75	14.00							
50" AISLE												DATE 3/19/21 DRAWN BY AP SCALE DWG NO 3 / 9


CA101300

MODEL 3165F

165 x 95 x 72



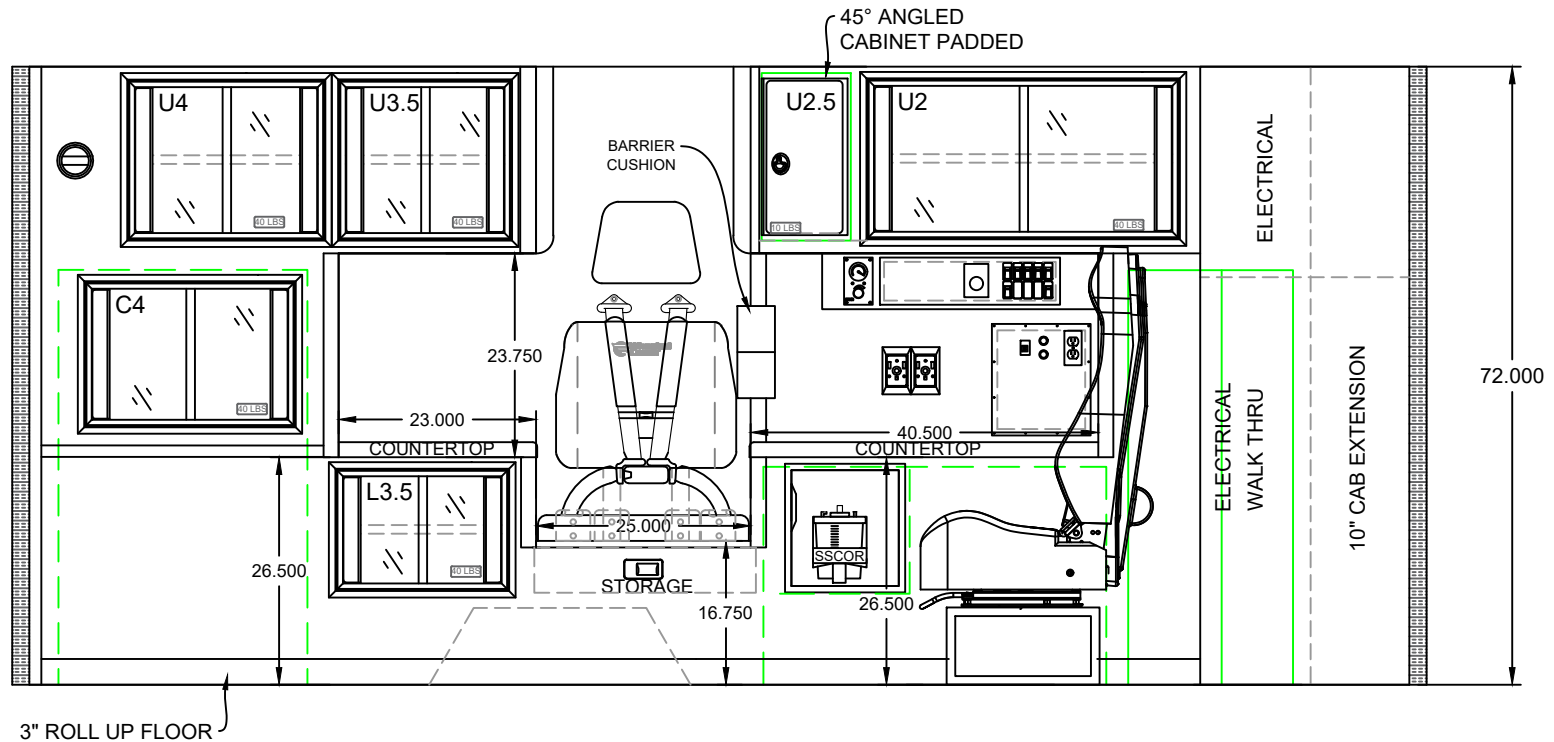
BE ADVISED THAT THESE ARE PRELIMINARY LAYOUTS INTENDED TO ILLUSTRATE DESIGN INTENT AND DIMENSIONS ARE FOR REFERENCE ONLY PRIOR TO FINAL ENGINEERING

<p>CABINET WEIGHT RATINGS: NON-RESTOCKING = 40 LBS. RESTOCKING = 30 LBS.</p>	<p>INTERIOR CABINET DIMENSIONS IN INCHES</p>								 <p>TYPE 3 FORD BULKHEAD INTERIOR</p>
	CABINET	HEIGHT	WIDTH	DEPTH	CABINET	HEIGHT	WIDTH	DEPTH	
	U8	24.50	33.50	23.25					
	L8	24.50	33.50	23.25					
50" AISLE								DATE 3/19/21	SCALE
								DRAWN BY AP	DWG NO 4 / 9

CA101300

MODEL 3165F

165 x 95 x 72



INTERIOR CABINET DIMENSIONS IN INCHES

CABINET	HEIGHT	WIDTH	DEPTH		CABINET	HEIGHT	WIDTH	DEPTH	
C4	17.00	24.50	IS/OS		L3.5	14.25	20.25	17.50	
U4	18.75	23.00	17.50		CPR SEAT	4.50	23.50	17.50	
U3.5	18.75	20.25	17.50						
U2.5	19.50	12.00	15.25						
U2	18.75	36.50	15.25						



TYPE 3 FORD

LEFT INTERIOR

DATE:	3/19/21	SCALE:	
DWN BY:	AP	DWG NO:	5 / 9

50" AISLE

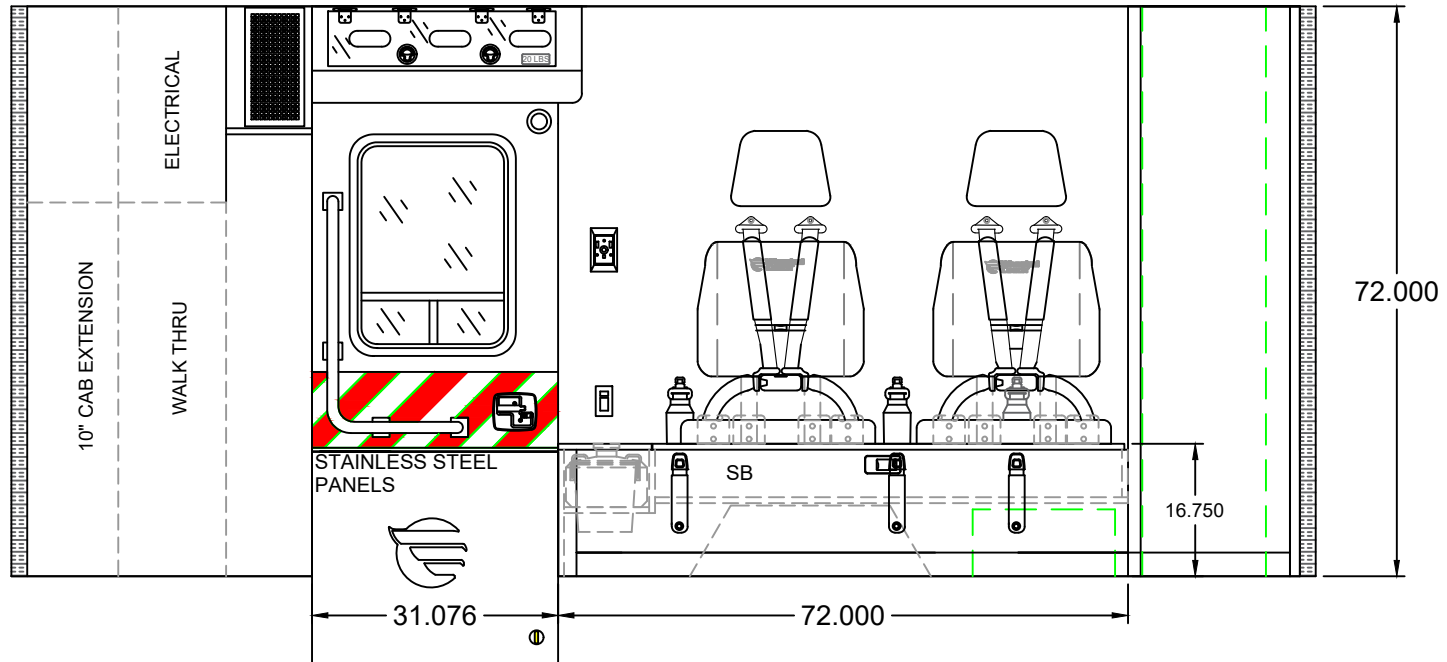
CABINET WEIGHT RATINGS:
NON-RESTOCKING = 40 LBS.
RESTOCKING = 30 LBS.

BE ADVISED THAT THESE ARE PRELIMINARY LAYOUTS INTENDED TO ILLUSTRATE DESIGN INTENT AND DIMENSIONS ARE FOR REFERENCE ONLY PRIOR TO FINAL ENGINEERING

CA101300

MODEL 3165F

165 x 95 x 72



INTERIOR CABINET DIMENSIONS IN INCHES



TYPE 3 FORD
RIGHT INTERIOR

DATE: 3/19/21

SCALE

OWN BY

AP

DWG NO

6 / 9

COMPT.

HEIGHT

WIDTH

DEPTH

COMPT.

HEIGHT

WIDTH

DEPTH

SB

6.00

59.00

16.75

50" AISLE

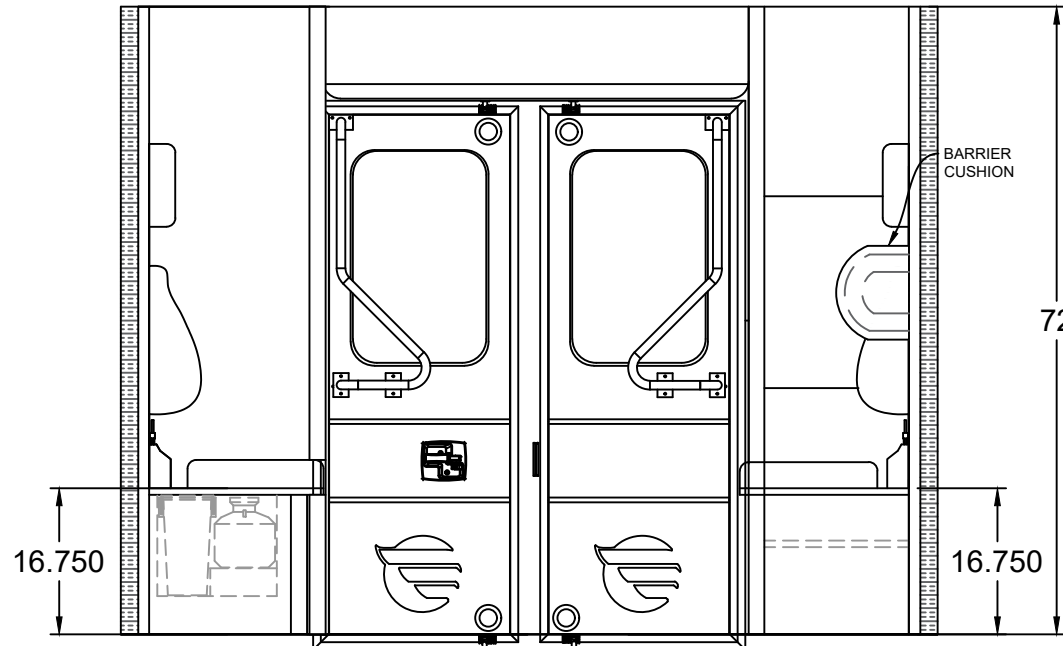
CABINET WEIGHT RATINGS:
NON-RESTOCKING = 40 LBS.
RESTOCKING = 30 LBS.

BE ADVISED THAT THESE ARE PRELIMINARY LAYOUTS INTENDED TO ILLUSTRATE DESIGN INTENT AND DIMENSIONS ARE FOR REFERENCE ONLY PRIOR TO FINAL ENGINEERING

CA101300

MODEL 3165F

165 x 95 x 72



INTERIOR CABINET DIMENSIONS IN INCHES



COMPT.	HEIGHT	WIDTH	DEPTH		COMPT.	HEIGHT	WIDTH	DEPTH	

TYPE 3 FORD
REAR BULKHEAD INTERIOR

DATE: 3/19/21 SCALE:

OWN BY: AP DWG NO: 7 / 9

50" AISLE

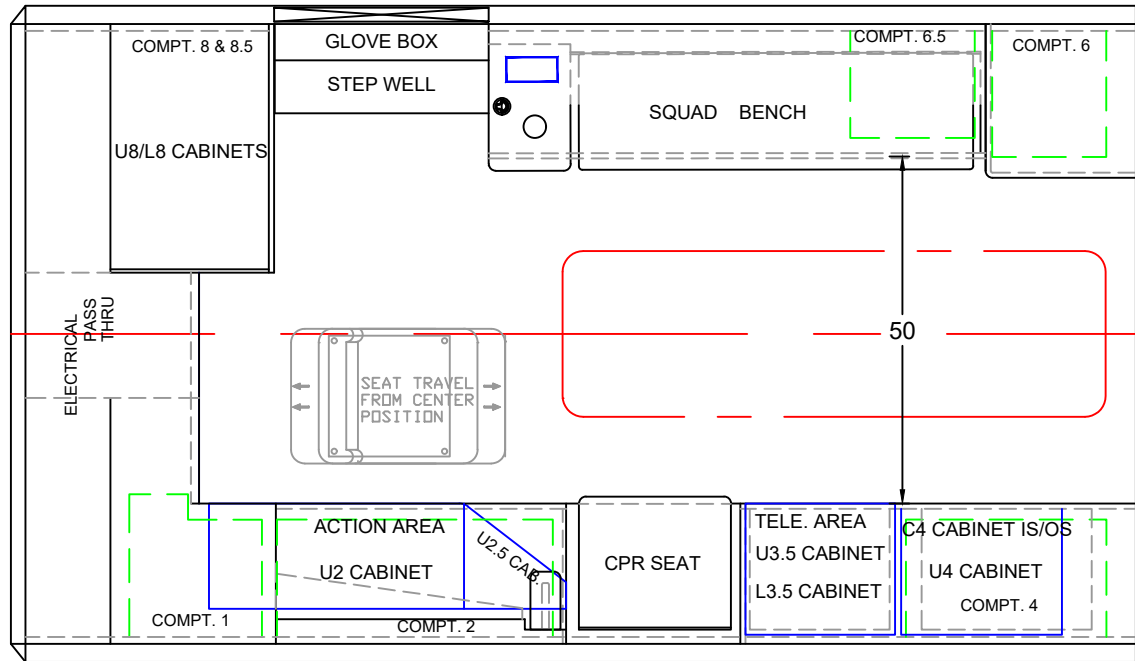
CABINET WEIGHT RATINGS:
NON-RESTOCKING = 40 LBS.
RESTOCKING = 30 LBS.

BE ADVISED THAT THESE ARE PRELIMINARY LAYOUTS INTENDED TO ILLUSTRATE DESIGN INTENT AND DIMENSIONS ARE FOR REFERENCE ONLY PRIOR TO FINAL ENGINEERING

CA101300

MODEL 3165F

165 x 95 x 72



BE ADVISED THAT THESE ARE PRELIMINARY LAYOUTS INTENDED TO ILLUSTRATE DESIGN INTENT AND DIMENSIONS ARE FOR REFERENCE ONLY PRIOR TO FINAL ENGINEERING

CABINET WEIGHT RATINGS:
NON-RESTOCKING = 40 LBS.
RESTOCKING = 30 LBS.

INTERIOR CABINET DIMENSIONS IN INCHES

CABINET	HEIGHT	WIDTH	DEPTH	CABINET	HEIGHT	WIDTH	DEPTH



TYPE 3 FORD
FLOOR PLAN

DATE: 3/19/21

SCALE

DWN BY AP

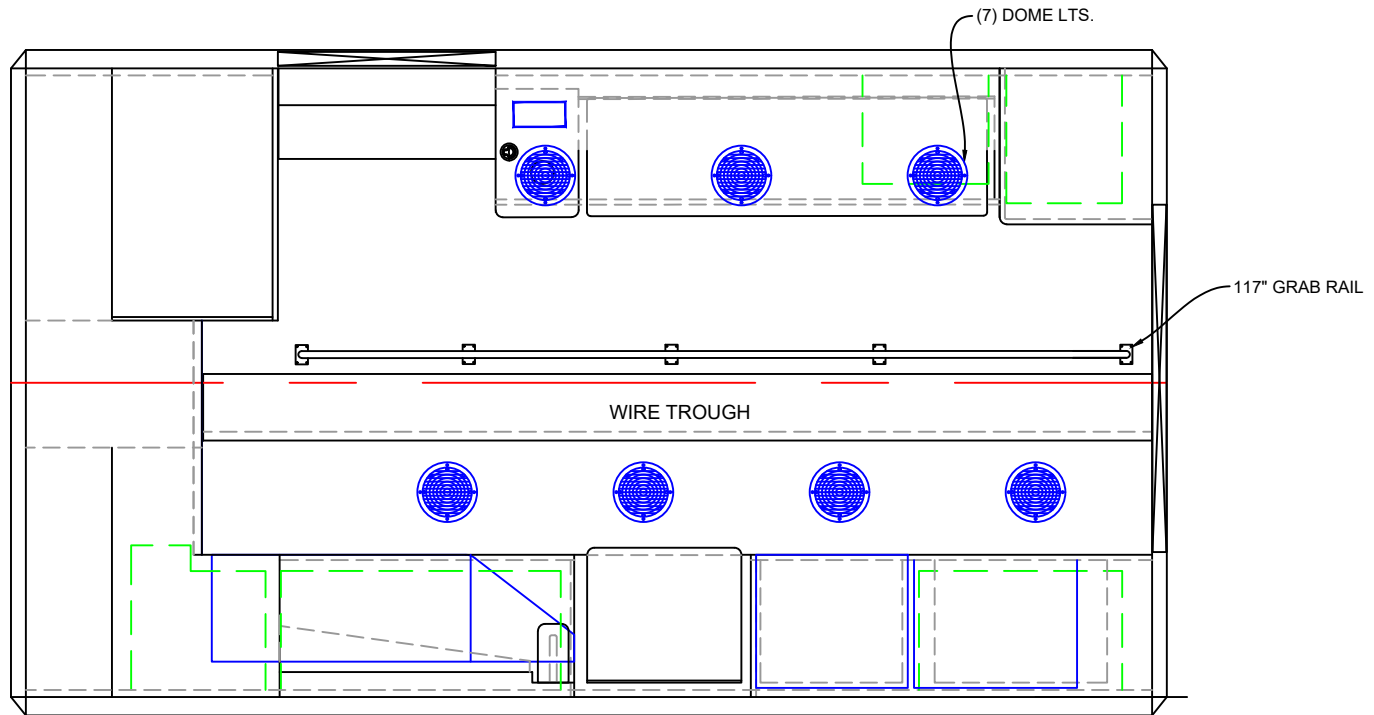
DWG NO 8 / 9

50" AISLE

CA101300

MODEL 3165F

165 x 95 x 72



BE ADVISED THAT THESE ARE PRELIMINARY LAYOUTS INTENDED TO ILLUSTRATE DESIGN INTENT AND DIMENSIONS ARE FOR REFERENCE ONLY PRIOR TO FINAL ENGINEERING

CABINET WEIGHT RATINGS:
NON-RESTOCKING = 40 LBS.
RESTOCKING = 30 LBS.

50" AISLE

INTERIOR CABINET DIMENSIONS IN INCHES

CABINET	HEIGHT	WIDTH	DEPTH	CABINET	HEIGHT	WIDTH	DEPTH



TYPE 3 FORD
LINER

DATE: 3/19/21	SCALE
DWG BY: AP	DWG NO: 9 / 9