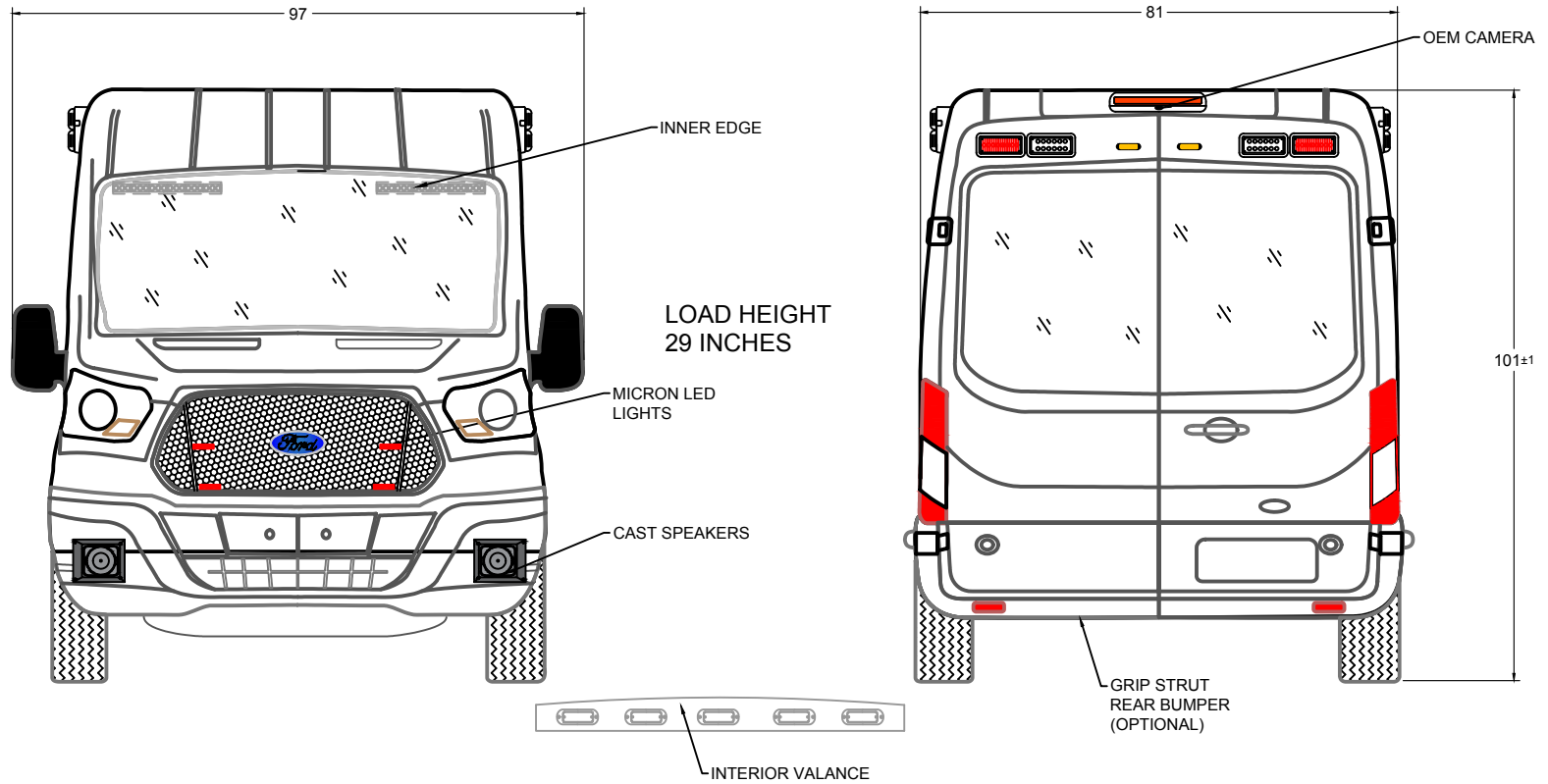


CA165504

TRANSIT 2.0



EXTERIOR COMPARTMENT DIMENSIONS IN INCHES

INTERIOR DIMENSIONS				PASS THRU		INTERIOR DIMENSIONS				JAMB OPENING	
COMPT.	HEIGHT	WIDTH	DEPTH	HEIGHT	WIDTH	COMPT.	HEIGHT	WIDTH	DEPTH	HEIGHT	WIDTH



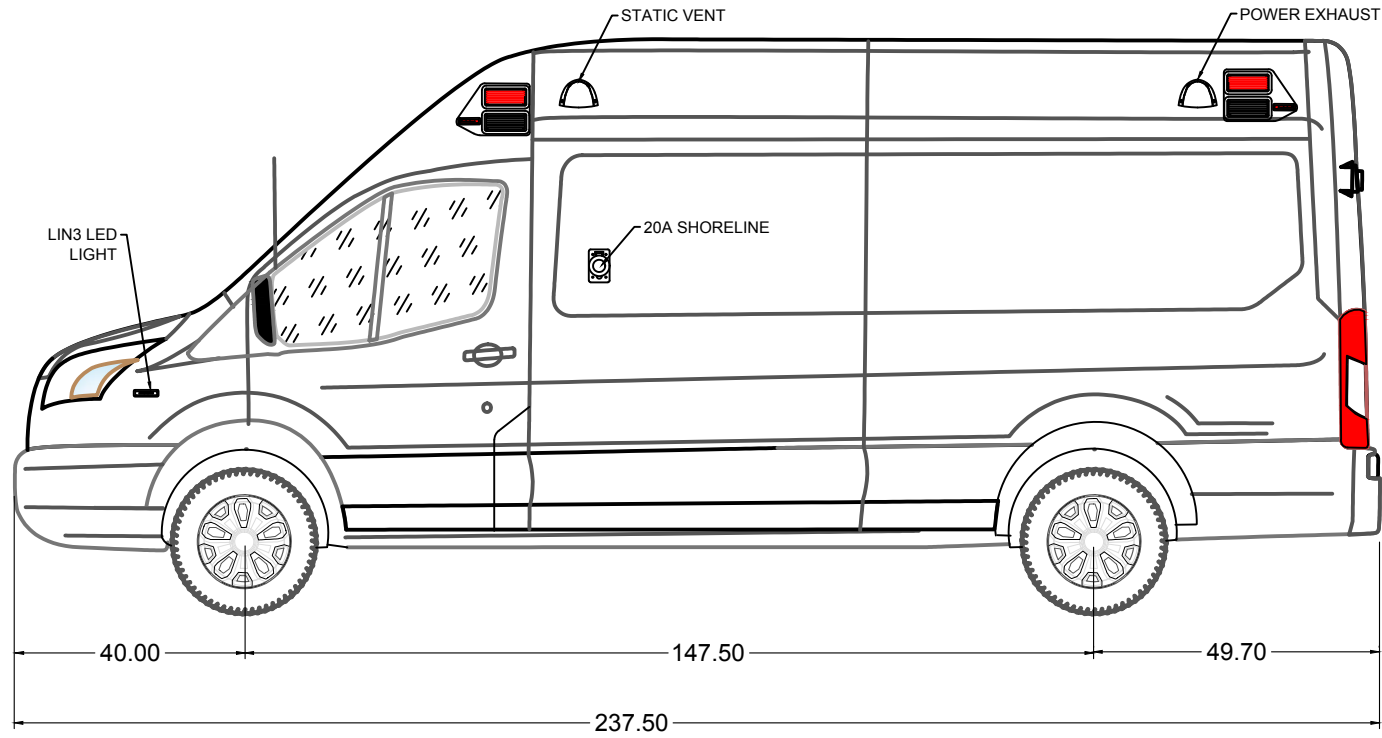
TRANSIT MID HEIGHT  
FRONT / REAR  
EXTERIOR VIEWS

BE ADVISED THAT THESE ARE PRELIMINARY LAYOUTS INTENDED TO ILLUSTRATE DESIGN INTENT AND DIMENSIONS ARE FOR REFERENCE ONLY PRIOR TO FINAL ENGINEERING


DATE:	3/24/21	SCALE
DWN BY	AP	DWG NO 1 / 9

CA165504

TRANSIT 2.0

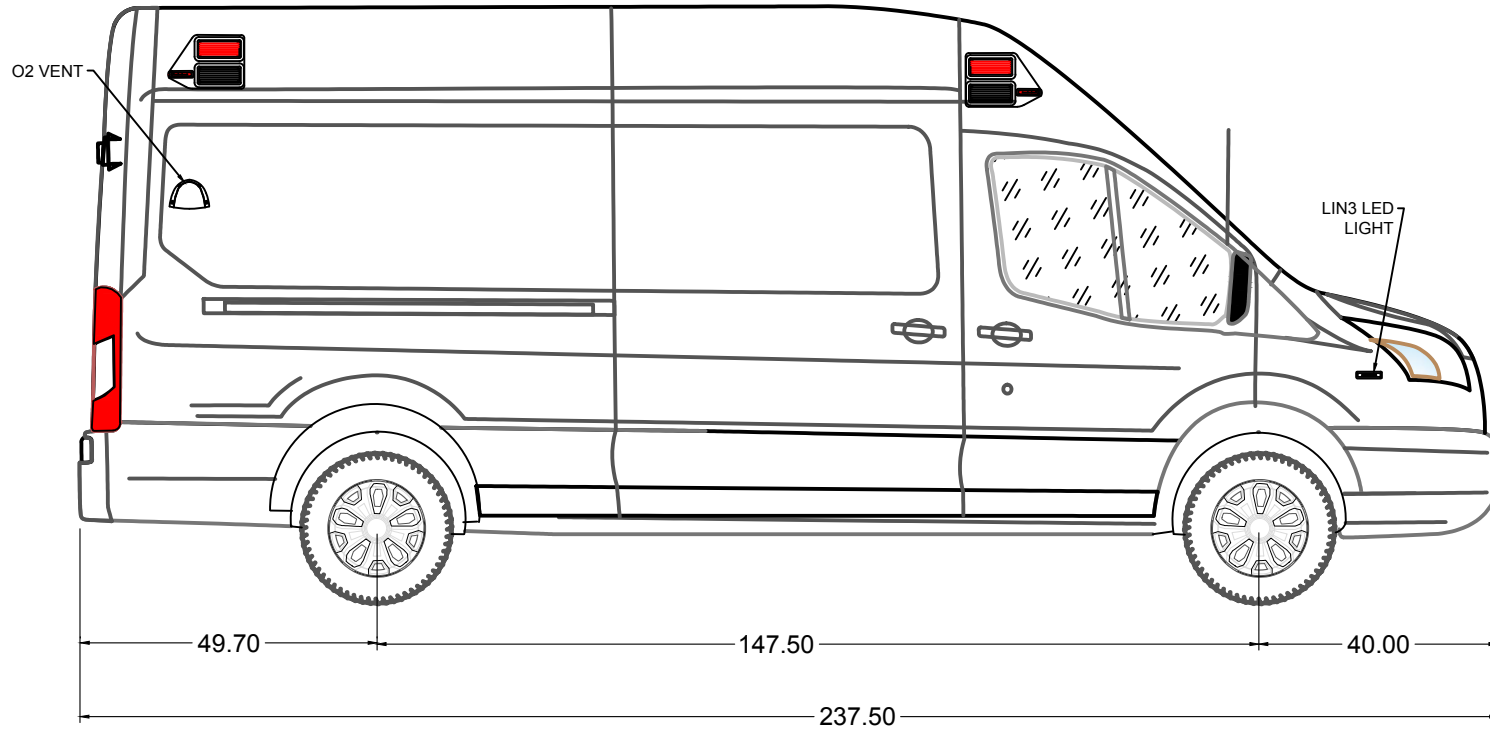


BE ADVISED THAT THESE ARE PRELIMINARY LAYOUTS INTENDED TO ILLUSTRATE DESIGN INTENT AND DIMENSIONS ARE FOR REFERENCE ONLY PRIOR TO FINAL ENGINEERING


EXTERIOR COMPARTMENT DIMENSIONS IN INCHES													
INTERIOR DIMENSIONS				JAMB OPENING		INTERIOR DIMENSIONS				JAMB OPENING			
COMPT.	HEIGHT	WIDTH	DEPTH	HEIGHT	WIDTH	COMPT.	HEIGHT	WIDTH	DEPTH	HEIGHT	WIDTH		
													<b>TRANSIT MID HEIGHT</b> LEFT EXT. VIEW
										DATE	3/24/21	SCALE	
										DRAWN BY	AP	DWG NO	2 / 9

CA165504

TRANSIT 2.0



BE ADVISED THAT THESE ARE PRELIMINARY LAYOUTS INTENDED TO ILLUSTRATE DESIGN INTENT AND DIMENSIONS ARE FOR REFERENCE ONLY PRIOR TO FINAL ENGINEERING

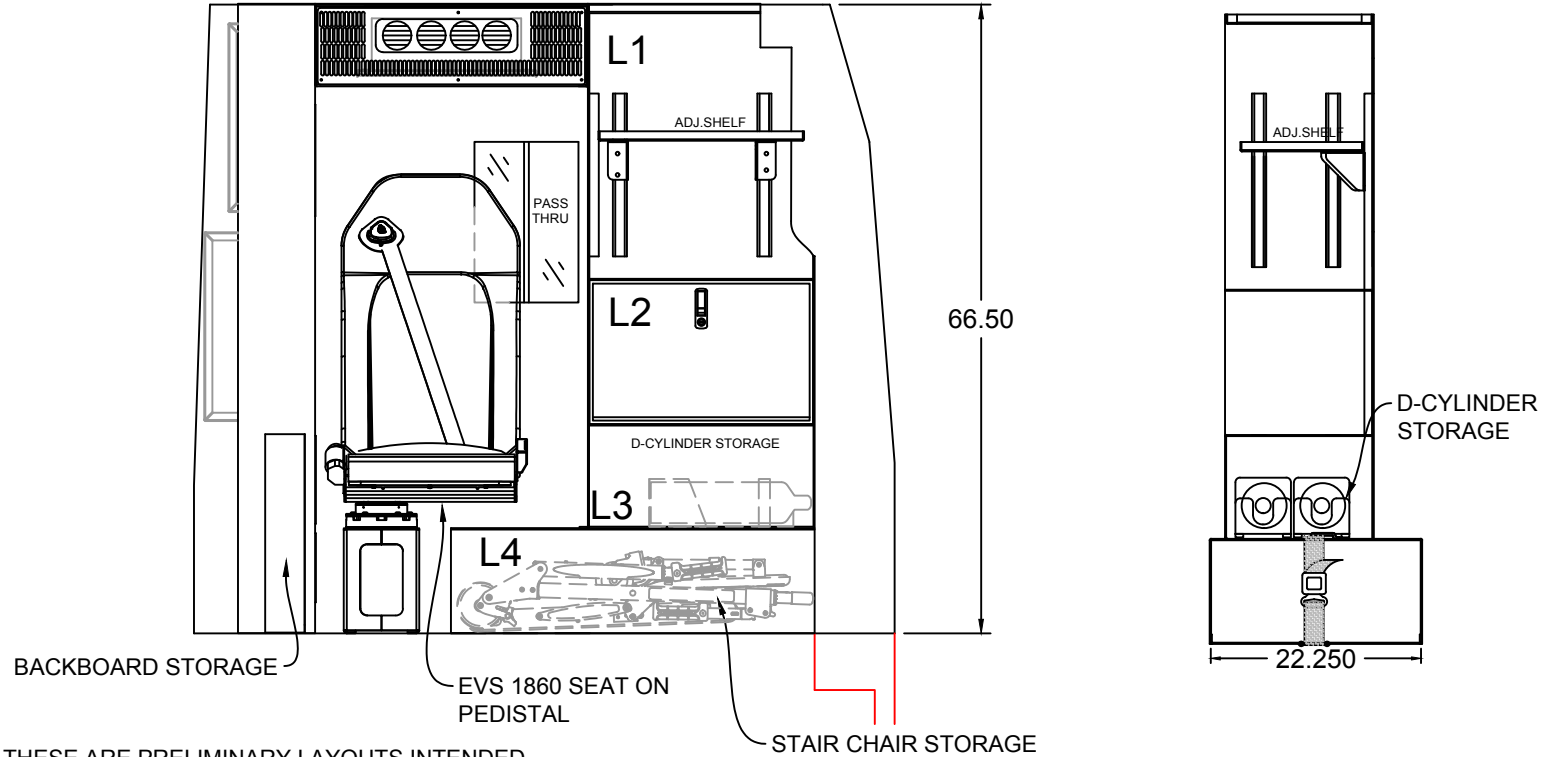
EXTERIOR COMPARTMENT DIMENSIONS IN INCHES													
INTERIOR DIMENSIONS				JAMB OPENING		INTERIOR DIMENSIONS				JAMB OPENING			
COMPT.	HEIGHT	WIDTH	DEPTH	HEIGHT	WIDTH	COMPT.	HEIGHT	WIDTH	DEPTH	HEIGHT	WIDTH		
													<b>TRANSIT MID HEIGHT</b>  <b>RIGHT EXT. VIEW</b>
										DATE	3/24/21	SCALE	
										DRAWN BY	AP	DWG NO	3 / 9



CA165504

TRANSIT 2.0

OPTION "B"



BE ADVISED THAT THESE ARE PRELIMINARY LAYOUTS INTENDED TO ILLUSTRATE DESIGN INTENT AND DIMENSIONS ARE FOR REFERENCE ONLY PRIOR TO FINAL ENGINEERING

INTERIOR CABINET DIMENSIONS IN INCHES

CABINET	HEIGHT	WIDTH	DEPTH	CABINET	HEIGHT	WIDTH	DEPTH
L1	25.00	23.75	15.50				
L2	17.25	23.75	15.50				
L3	12.00	23.75	15.50				
L4	11.00	38.50	22.25				



TRANSIT MID HEIGHT BULKHEAD INTERIOR

DATE 3/24/21

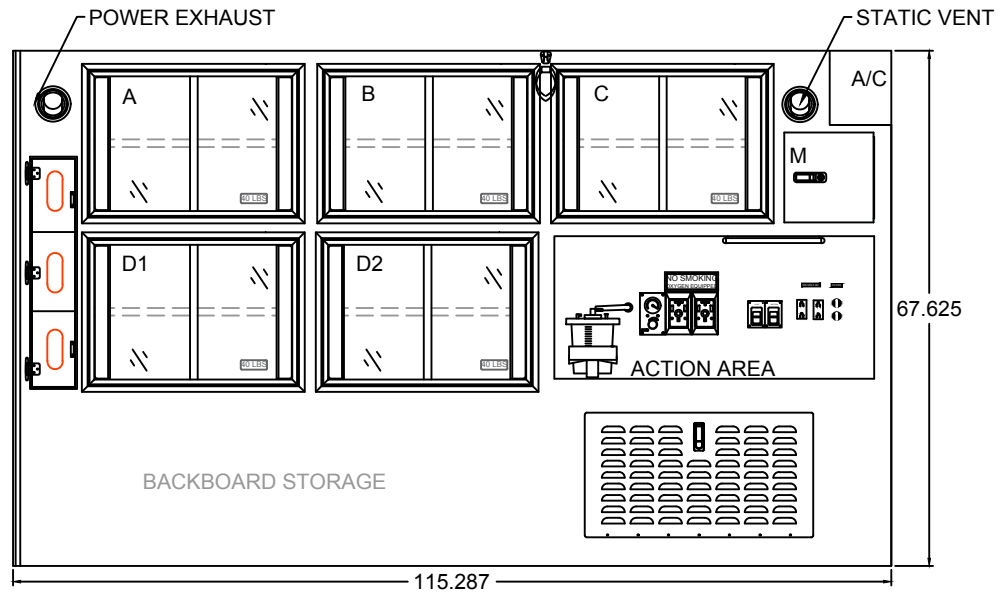
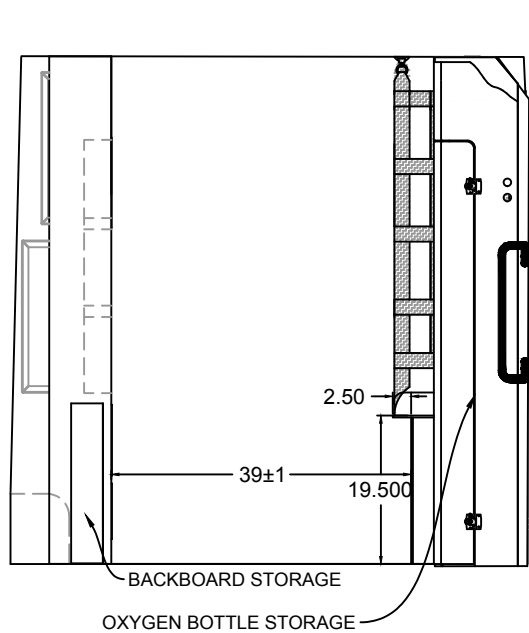
SCALE

DRAWN BY AP

DWG NO 5 / 9

CA165504

TRANSIT 2.0



INTERIOR CABINET DIMENSIONS IN INCHES

CABINET	HEIGHT	WIDTH	DEPTH		CABINET	HEIGHT	WIDTH	DEPTH	
A	19.75	28.00	9.00		M	10.75	11.25	8.00	
B	19.75	28.00	9.00						
C	19.75	28.00	9.00						
D1	19.75	28.00	11.50						
D2	19.75	28.00	11.50						



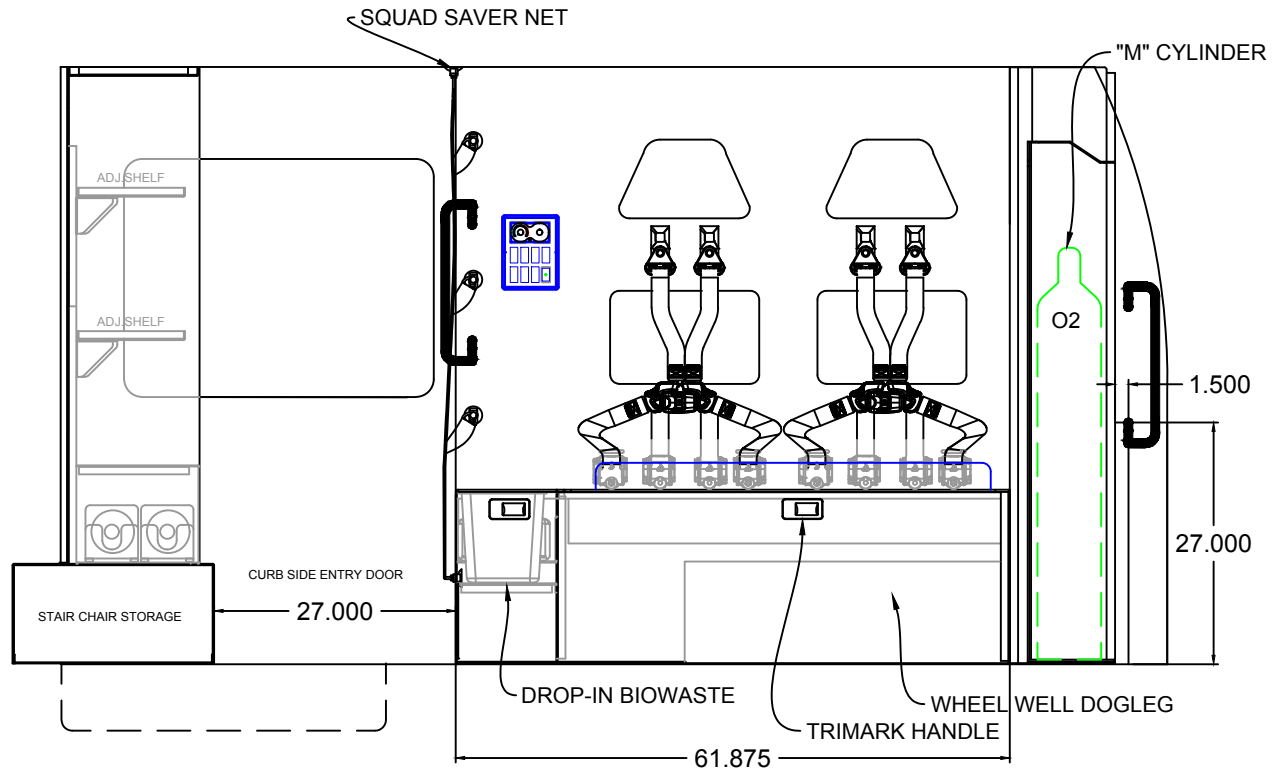
TRANSIT MID HEIGHT  
LEFT INTERIOR

DATE:	3/24/21	SCALE:	
DWN BY:	AP	DWG NO:	6 / 9

BE ADVISED THAT THESE ARE PRELIMINARY LAYOUTS INTENDED TO ILLUSTRATE DESIGN INTENT AND DIMENSIONS ARE FOR REFERENCE ONLY PRIOR TO FINAL ENGINEERING

CA165504

TRANSIT 2.0



INTERIOR CABINET DIMENSIONS IN INCHES

COMPT.	HEIGHT	WIDTH	DEPTH		COMPT.	HEIGHT	WIDTH	DEPTH	



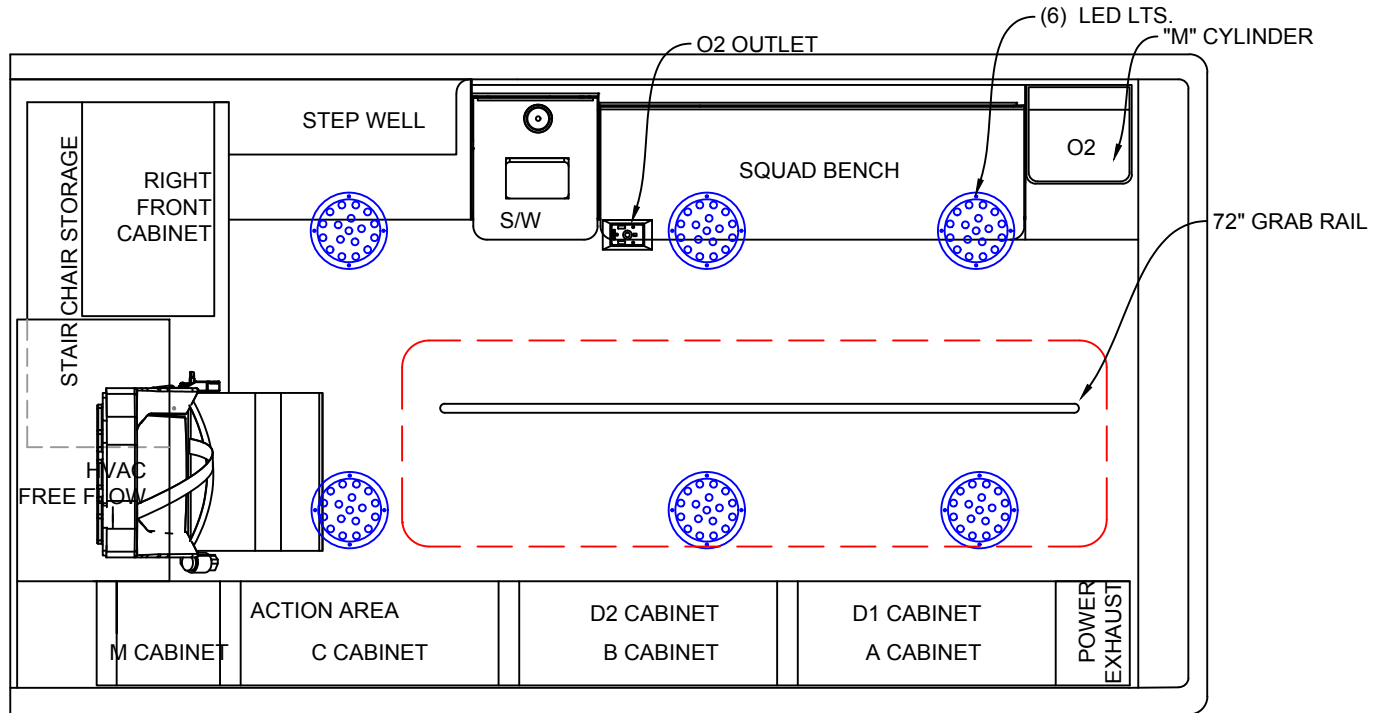
TRANSIT MID HEIGHT  
RIGHT INTERIOR

DATE:	3/24/21	SCALE:	
DWN BY:	AP	DWG NO:	7 / 9

BE ADVISED THAT THESE ARE PRELIMINARY LAYOUTS INTENDED TO ILLUSTRATE DESIGN INTENT AND DIMENSIONS ARE FOR REFERENCE ONLY PRIOR TO FINAL ENGINEERING

CA165504

TRANSIT 2.0



BE ADVISED THAT THESE ARE PRELIMINARY LAYOUTS INTENDED TO ILLUSTRATE DESIGN INTENT AND DIMENSIONS ARE FOR REFERENCE ONLY PRIOR TO FINAL ENGINEERING

INTERIOR CABINET DIMENSIONS IN INCHES

CABINET	HEIGHT	WIDTH	DEPTH	CABINET	HEIGHT	WIDTH	DEPTH



TRANSIT MID HEIGHT LINER

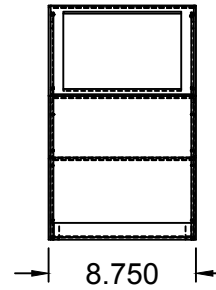
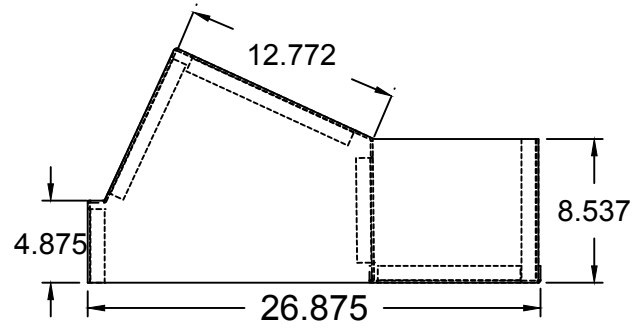
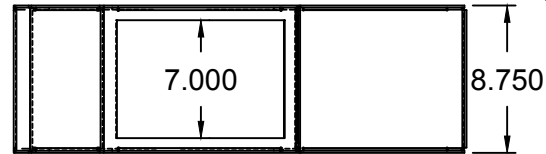
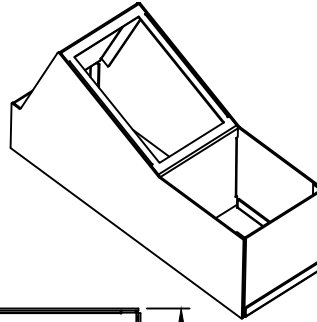
DATE: 3/24/21 SCALE: DWG NO: 8 / 9

DWN BY: AP



CA165504

TRANSIT 2.0



BE ADVISED THAT THESE ARE PRELIMINARY LAYOUTS INTENDED TO ILLUSTRATE DESIGN INTENT AND DIMENSIONS ARE FOR REFERENCE ONLY PRIOR TO FINAL ENGINEERING

INTERIOR CABINET DIMENSIONS IN INCHES

CABINET	HEIGHT	WIDTH	DEPTH	CABINET	HEIGHT	WIDTH	DEPTH



TRANSIT MID HEIGHT  
CONSOLE

DATE:	3/24/21	SCALE:	
DWN BY:	AP	DWG NO:	9 / 9